

TENDER SPECIFICATION

STN-1180/2024

FOR

11KV 20/5A CTPT SETS OF CLASS 0.2S ACCURACY

TABLE OF CONTENTS

SECTION	DESCRIPTION	PAGE NO.
I	Notice inviting bids	4-6
II	Salient Features of the Bid	7
III	General Terms and Conditions Of Contract	8-32
IV	Schedule of Requirements	33
V	Qualification Requirements	34-35
VI	Technical	36-45
VII	Sample Forms	
	1) Bid Form	46
	2a) Bid Security Form	47
	2b) Performance Security Form	48
	3) Contract Form	49-50
	4) Performance Statement	51
	5) Details to be furnished by the Manufacturer (FORMAT-A)	52
	6) Schedule of deviations (Technical & Commercial) Declaration Form	53-54 55

NOTE:

1. Payment terms, Delivery period, Performance Bank Guarantee, Taxes and Duties” should be in line with the terms and conditions of the specification. If any bidder does not meet any one of the conditions, such tender will not be considered. Please note that the conditional offers are also not considered. Hence the bidder shall submit the tender in line with the terms and conditions of the specification.
2. The bidders shall check the website www.tssouthernpower.com and www.tender.telangana.gov.in for amendments, if any, upto one day prior to the date of tender opening. The amendments shall be binding on the bidders.
3. The purchaser will not be responsible for any damage that may be caused to the samples at any time.
4. The bidder shall furnish required Bid Security amount and validity as per specification. If the bidder fails to furnish bid security amount and bid validity as stipulated in the specification, such tender bid will not be considered for further evaluation.
5. The prospective bidders shall attend the pre-bid meeting (date and time in NIT) for any queries. The discussed queries shall be submitted in the form of a letter during pre bid meeting or within 24 hrs of pre bid meeting. Any new queries received after pre bid meeting are not liable to be considered.
6. The bid evaluation will be carried out based on the documents uploaded through www.tender.telangana.gov.in against this tender.
7. The Bids received with any details pertaining to prices in the offline mode will be liable for rejection.
8. In e-procurement commercial stage, if F&I charges are applicable then mention whether F&I charges entered are exclusive/inclusive of GST in the remarks section. If not mentioned in remarks, F&I charges will be considered as inclusive of GST.
9. EMD Exemption is considered only for Government Firms.

Ph : 040 – 23431033, 23431448

Fax : 040 - 23431034

CHIEF GENERAL MANAGER (P&MM)
TGSPDCL



SOUTHERN POWER DISTRIBUTION COMPANY OF TELANGANA LTD.

e-Procurement Tender Notice (Paper Notification)

TGSPDCL intends to float tenders for procurement of (a) LT Distribution Boxes (SMC) and (b) 11KV CTPT Sets 20/5A 0.2S class accuracy (c) 11KV/433-250V, 3-Ph 500 KVA Copper Wound Distribution Transformers with BIS Energy Efficiency Level-2 (Star-2) (d) 33KV CTs 400-200-100/1-1A,0.2S Class (e) 11KV 220V DC Feeder VCBS with CTs and CRPs (f) 11KV LV CTs of 600-300/1-1A,0.2S Class (g) 11KV 3-Ph PTS 50VA Burden,0.2 Class (h) 4C x 2.5 Sq.mm Copper Control Cable (i) 10C x 2.5 Sq.mm Copper Control Cable (j) 8Mtrs/140 Kgs PSCC Poles to various circles Wanaparthi Stores (k) 9.1 Mtrs/280 Kgs PSCC Poles to Various Circle of Mahaboobnagar Stores (L) LT Pin Insulator (m) Stationery and (n) 33KV, 3CX400 Sq.mm TR XLPE UG Cable on e-procurement platform.

For further details of each item above, please visit www.tssouthernpower.com and www.tender.telangana.gov.in .

Phone: 040-23431360, 1033, 1035, 1026

sd/-
(U. BALA SWAMY)
CHIEF GENERAL MANAGER
(P&MM)

ONLINE VERSION
Tender Notice No : STN-1180/2024

Notice Inviting Tender Details		
S.No	Description	
1	Department Name	TGSPDCL
2	Office	Purchases & Material Management Wing, Corporate Office, TGSPDCL
3	Tender Number	STN-1180/2024
4	Tender Subject	11KV 20/5A CTPT Sets of class 0.2S accuracy
5	Delivery Schedule	The delivery of materials shall commence within 45 days & complete within 3 months of receipt of order.
6	Tender Type	Open
7	Tender Category	NA
8	Bid Security (INR)	(i) 2% of the Ex-works quoted value (plus GST @18%) (or) (ii) Exemption letter of Bid Security in case of Govt. firms.
9	Bid Security Payable to	In the form of DD in favour of Pay Officer/TGSPDCL / Hyd or BG from Nationalized/Scheduled Bank as per format 2(a). The validity of the bank guarantee shall be upto bid validity +45 days from the date of tender opening
10	Processing Fee (INR)	NIL
11	Transaction Fee	<u>Transaction fee:</u> All the participating bidders who submit the bids have to pay an amount @ 0.03% of their final bid value online with a cap of Rs.10,000/- for quoted value of purchase upto Rs.50 crores and Rs.25000/- if the purchase value is above Rs.50 crores & service tax applicable as per GST as levied by Govt. of India on transaction fee through online in favour of M/s. TSTS. The amount payable to M/s. TSTS is non refundable. <u>Corpus Fund:</u> Successful bidder has to pay an amount of 0.04% on quoted value through demand draft in favour of Managing Director, TSTS, Hyderabad towards corpus fund at the time of concluding agreement.
12	Transaction Fee Payable to	TSTS, Hyderabad
13	Date & time of pre-bid meeting with manufacturer	31-05-2024 at 11:30Hrs
14	Schedule Sale opening date	28-05-2024 from 11:00 Hrs
15	Schedule Sale closing Date	12-06-2024 Upto 17:00 Hrs.
16	Bid Submission Closing Date & time	12-06-2024 Upto 12:00 Hrs
17	Bid submission	On Line
18	Pre-Qualification& Technical Bid Opening Date (Qualification and Eligibility Stage and Technical Bid Stage)	12-06-2024 at 15:00 Hrs.
19	Price Bid Opening Date (Financial Bid Stage)	15-06-2024 at 12:00 Hrs
20	Place of Tender Opening	O/o Chief General Manager/P&MM TGSPDCL, 4th Floor, Corporate Office, Mint Compound, Hyderabad – 500 004.
21	Officer Inviting Bids/ Contact Person	Chief General Manager/P&MM/TGSPDCL/HYDERABAD
22	Address/E-mail id	O/o. Chief General Manager/P&MM TGSPDCL, 4th Floor, Corporate Office, Mint Compound, Hyderabad – 500 004
23	Contact Details/Telephone, Fax	Ph. No. 040-23431448, Fax No. 040-23431034
24	Eligibility Criteria	As per Section VI
25	Procedure for Bid Submission	Bids shall be submitted online on www.tender.telangana.gov.in platform

		<ol style="list-style-type: none"> 1. The participating bidders in the tender should register themselves free of cost on www.tender.telangana.gov.in platform in the website www.tender.telangana.gov.in. 2. Bidders can log-in to www.tender.telangana.gov.in platform in Secure mode only by signing with the Digital certificates. 3. The bidders who are desirous of participating in the tender shall submit their technical bids, price bids as per the standard formats available at the e-market place. 4. The bidders should scan and upload the following documents in support of technical bids. The bidders shall sign on all the statements, documents certificates uploaded by him, owning responsibility for their correctness/authenticity: <ol style="list-style-type: none"> a) Bid Security should be furnished <ol style="list-style-type: none"> i) In the form of DD in favor of Pay Officer/TGSPDCL/Hyderabad (or) Alternatively BG from Nationalized/Scheduled bank in favor of Chief General Manager/P&MM/TGSPDCL/Hyd as per format-II enclosed (or) ii) If exempted give details of Bid Security Exemption (in case of Govt. Organization) b) Quantity offered c) Proof of manufacturer-SSI, Department of Industries, Govt. of India Enterprise etc d) GSTR 3B for the latest financial year shall be submitted e) Financial Turnover certified by CA for last 5 years f) Details of previous supplies along with PO copies and delivery challan copies for qualification requirement as per tender document. g) Performance Certificates issued by Head of Purchasing Authority (as per spec) h) Copies of relevant purchase order copies mentioned in the performance certificates in support of the above. i) ISO certification j) Type Test Certificates in full shape k) Duly filled and signed proforma as per Format A
		<ol style="list-style-type: none"> 6. The rates should be quoted in online only 7. After uploading the documents the copies of the uploaded statement, certificates, documents, original Demand Drafts in respect of processing fee, testing charges and Bid Security (except the Price bid/offer/break-up of taxes) are to be submitted by the bidder to the Chief General Manager/ P&MM/ TGSPDCL so as to reach before the date and time of opening of the technical bid. Failure to furnish any of the uploaded documents, certificates, before the date and time of opening of technical bid will entail in rejection of the bid. The Department shall not hold any risk on account of postal delay. Similarly, if any of the certificates, documents, etc., furnished by the tenderer are found to be false / fabricated / bogus, the bidder will be disqualified, blacklisted, action will be initiated as deemed fit and the Bid Security will be forfeited. 8. The department will not hold any risk and responsibility regulating non-visibility of the scanned and uploaded documents. 9. The Documents that are uploaded online on e-market place

		<p>will only be considered for Technical Bid Evaluation.</p> <p>10. Important Notice to Contractors, Suppliers and Department users</p> <p>(i) In the endeavor to bring total automation of processes in e-Procurement, the Govt. has issued orders vide G.O.Ms.No. 13 dated. 5.7.2006 permitting integration of electronic Payment Gateway of ICICI/HDFC Banks with eProcurement platform, which provides a facility to participating suppliers/ contractors to electronically pay the transaction fee online using their credit cards.</p>
26	Rights reserved with the Department	<p>TGSPDCL reserves the right to accept or reject any or all of the tenders received without assigning any reasons therefore. The TGSPDCL also reserves the right to split the tender and place orders on more than one tenderer at its discretion</p>
27	General Terms and Conditions	As per tender documents.

SECTION - II
SALIENT FEATURES OF THE BID

SUPERSCRPTION ON THE TENDER COVER

- Specification No : **STN-1180/2024**
 Material : **11KV 20/5A CTPT Sets of class 0.2S accuracy**
 Officer to whom the bid will be addressed : **CGM/P&MM, Corporate Office/TGSPDCL/Hyd**
 Superscription on the bid cover and the outer envelope :
- a. Specification No. : **STN-1180/2024**
 - b. Due date and time for online & hard copy submission : **12-06-2024 at 12:00 Hrs**
 - c. Date and time of online opening : **12-06-2024 at 15:00 Hrs**
 - d. Payment of bid security
 - i) If paid give details: DD No.____Dt.____ for Rs._____
 - ii) If exempted give details
 - e. Payment of testing charges DD No.____Dt.____ for Rs._____
 - f. Whether 90 days validity offered(yes/no).
 - g. Whether bid is made accepting payment terms Clause....(yes/no).
 - h. Whether delivery is as per delivery schedule indicated....(yes/no)
 - i. Whether the sample (if specified) has been enclosed/sent...(yes/no)
 - j. Whether the quotation is in two parts (Yes/no)

Content of Bidding Documents:

The materials / equipment required, bidding procedures, and contract terms are prescribed in the bidding documents as listed below:

- a. Notice Inviting Bids.
- b. Salient feature of the contract.
- c. Standard General terms and conditions of contract.
- d. Standard Technical specification and drawings wherever necessary.
- e. Qualification Requirements.
- f. Schedule of requirements (delivery Schedule)

SAMPLE FORMS.

- g. Bid Form
- h. Performance Security Form
- i. Manufacturers' Authorization form
- j. Performance Statement
- k. Details to be furnished by the Manufacturer **(Format-A)**
- l. Schedule of Deviations (Technical & Commercial)

The Bidder is expected to examine all instructions, forms, terms and technical specifications in the bidding documents. Failure to furnish all information required by the bidding documents or to submit a bid not substantially responsive to the bidding documents in every respect will be at Bidder's risk and may result in the rejection of its bid.

Deviations from standard bidding document

- i) General terms and Condition of Contract
- ii) Technical

The above deviations supercede the existing terms of GCC and Technical Specification

CHIEF GENERAL MANAGER (P&MM)
TGSPDCL

SECTION - III
GENERAL TERMS AND CONDITIONS OF CONTRACT

A. Introduction

1. Definitions

In this Contract, the following terms will be interpreted as indicated:

- (a) "The Contract" means the agreement entered into between the Purchaser and the Supplier, as recorded in the contract Form signed by the Parties, including all attachments and appendices thereto and all documents incorporated by reference therein.
- (b) "The Contract Price" means the price payable to the Supplier under the Contract for the full and proper performance of its contractual obligations.
- (c) "The Materials / equipment" means all of the equipment, machinery, and/or other materials which the Supplier is required to supply to the Purchaser under the Contract.
- (d) "The Services" means those services ancillary to the supply of the Materials / equipment, such as transportation and insurance, and any other incidental Services, such as installation, commissioning, provision of technical assistance, training, and other such obligations of the Supplier covered under the Contract.
- (e) "GCC" means the General Terms and Conditions of Contract contained in the section.
- (f) "The Purchaser" means the organization purchasing the Materials / equipment.
- (g) Vendor is a supplier who has registered with the purchaser for supply of materials/equipment.
- (h) "The Supplier" means the firm supplying the Materials / equipment and Services under this Contract.
- (i) "Day" means calendar day.

2. Applicability

These General Conditions of contract will apply to the extent that they are not superseded by provisions of Salient features of the Bid.

3(a) Standards

The Materials / equipment supplied under this Contract will conform to the Standards mentioned in the Technical specifications, and, when no applicable standard is mentioned, the authoritative standards appropriate to the Materials / equipment' i.e., BIS, such standards will be the latest. All material will be of the best class and will be capable of satisfactory operation under tropical conditions without distortion or deterioration.

3(b) Interchangeability:

All similar materials and removable parts of similar equipment will be interchangeable with each other. A specific confirmation of this should be furnished in the bid.

4. Scope of Work:

This specification covers design manufacture, testing and delivery FADS (Free At Destination Stores) of the materials described at Section V and Technical Specification Section VI.

5. Eligible Bidders:

All the Manufacturers who have registered themselves with department of industries of State/Central Govt. with full manufacturing and testing facilities for supply of the material / equipment listed in Section No. V, of Bid specification and meeting the qualification requirements described at section IV only need quote. Bids received from firms not meeting the above criteria will not be considered.

B. THE BIDDING DOCUMENTS

6. Contents of Bidding Document:

6.1 The Materials / equipment required, bidding procedures, and contract terms are prescribed in the bidding documents as listed below:

1. Notice Inviting Bid
2. Technical Specifications
3. Schedule of Requirements (Delivery Schedule)
4. Bid Form and Price Schedules(**online only**)
5. Salient Features of the Bid
6. General Terms and Conditions of Contract
7. Qualification Requirements
8. Bid Security
9. Performance Security Form
10. Schedule of Deviations

6.2 The Bidder is expected to examine all instructions, forms, terms and Technical specifications in the bidding documents. Failure to furnish all information required by the bidding documents or to submit a bid not responsive to the bidding documents in every respect will be at Bidder's risk and may result in the rejection of its bid.

7. Clarification of Bidding Documents

Clarification of Bidding Documents: A prospective Bidder requiring any clarification of the bidding documents may notify the Purchaser in writing or by cable (hereinafter, the term cable is deemed to include telex and facsimile) at the Purchaser's address. The Purchaser will respond in writing to any request for clarification of the bidding documents, which it receives no later than fifteen (15) days prior to the deadline for the submission of bids. Written copies of Purchaser's response (including an explanation of the query but without identifying the source of inquiry) will be put on Website of the purchaser and e-procurement website or intimated by mail.

8. Amendment to Bidding Documents:

8.1 At any time prior to the deadline for submission of bids, the Purchaser, for any reason, whether at its own initiative or in response to a clarification requested by a prospective Bidder, may modify the bidding documents by amendment.

8.2 All such amendments also would be made available on the website of TGSPDCL and e-procurement website and such amendments will be binding on the respective Bidders.

- 8.3 In order to allow prospective Bidders reasonable time in which to take the amendment into account in preparing their bids, the Purchaser, at its discretion, may extend the deadline for the submission of bids.

C. PREPARATION OF BIDS

9. Language of Bid:

The bid prepared by the Bidder including all correspondence and documents relating to the bid exchanged by the Bidder and the Purchaser, will be in English.

10. Cost Associated with Bidding:

The Bidder will bear all costs associated with the preparation and submission of its bid, and the Purchaser, will in no case be responsible or liable for those costs, regardless of the conduct or outcome of the bidding process.

11. Documents Constituting the Bid:

The bid prepared by the Bidder will comprise the following components:

- i. Bid Security in accordance with Clause No.19.
- ii. A Bid Form and Price Schedule (**only for online submission**) completed in accordance with Clause No.12 and 13.
- iii. Documentary evidence establishing in accordance with Clause No.18 that the Bidder is eligible to bid and is qualified to perform the contract if its bid is accepted.
- iv. Documentary evidence establishing that the Materials / equipment and ancillary services to be supplied by the Bidder are as per the Technical specification of the bidding documents; and
- v. Tax clearance certificate
- vi. Schedule of Deviations
 - (a) Commercial
 - (b) Technical

All the Schedules will be duly filled but not necessary in the sheets attached to the specification unless full details required in the schedules are furnished the Bids will be liable for rejection.

12. Bid Form:

The Bidder will complete the Bid form and the appropriate Price Schedule (**only for online submission**) furnished in the bidding documents, indicating the Materials / equipment to be supplied, a brief description of the Materials / equipment, quantity and prices.

13. Bid Prices:

- 13.1 The prices quoted shall be **FIRM**. Bids will be called for with prices FADS inclusive of packing and forwarding GST and other legally permissible duties and levies wherever applicable, handling charges to cover the transport by road from destination railway station to site/stores and insurance (transit and storage at site for 45 days).
- 13.2 Even though composite price is given the break-up for all the duties, taxes, freight, insurance, packing and forwarding etc., shall be furnished.
- 13.3 It is the responsibility of the Bidder to inform himself of the correct rates of duties and taxes leviable on the materials at the time of bidding.

13.4 The proforma credit available to the bidder on the purchases of inputs (raw materials) consequent to the introduction of "MODVAT" Scheme may be taken into account while quoting the prices.

13.5 The Bidder shall indicate on the appropriate Price Schedule (online submission) the unit prices (where applicable) and total bid price of the Materials / equipment it proposes to supply under the contract.

Prices indicated on the price schedule (online) shall be entered separately in the following manner.

The price of the Materials / equipment quoted EXWORKS, GST and other taxes payable on the finished Materials / equipment with individual breakup for Taxes and Duties, packing and forwarding, freight and insurance etc.

14. Taxes and Duties

14.1 A bidder will be entirely responsible for quoting the correct taxes and duties, other local taxes or levies if any, license fees, etc., he has to incur until completion of the contract. For the purpose of evaluation the bidder should clearly indicate the Excise Duty, GSTR 3B and any other levies payable. Failure to furnish such details leads to loading as indicated in the evaluation criteria.

14.2 If the rates of statutory levies assumed by the Bidder are less than the actual rates prevailing at the time of bidding, the Purchaser will not be responsible for such errors. If the rates of statutory levies assumed by the Bidder are later proved to be higher than the actual / correct rates prevailing at the time of bidding, the difference will be passed on to the credit of the Purchaser.

14.3. Deemed Export Benefits: This is not applicable for local purchases with TGSPDCL funds.

15. Statutory Variations

In case of subvendor items Taxes, Duties are inclusive in tender price. No statutory variation is applicable. Further price variations in respect of Sub-vendor items will be considered on tender prices.

Any variation up or down in statutory levy or new levies introduced after signing of the contract under this specification will be to the account of TGSPDCL provided. In cases where delivery schedule is not adhered to by the supplier and there are upward variation / revision after the agreed delivered date, the supplier will bear the impact of such levies and if there is downward variation / revision the TGSPDCL will be given credit to that extent. **This is allowed only once during delivery period i.e. at the time of delivery of goods at factory.**

16. Bid Currencies:

Prices shall be quoted in Indian Rupees; and will be paid in Indian Rupees Only.

17. Quantity to quote:

Bidder shall quote a minimum quantity of at least 20% of the total quantity indicated in the bid Specification. Offers less than the minimum prescribed are liable for rejection.

18. Documents Establishing Bidder's Eligibility and Qualifications

The Bidder shall furnish, as part of its bid, documents establishing the Bidder's eligibility to bid and its qualifications to perform the contract if its bid is accepted.

The documentary evidence of the Bidder's qualifications to perform the contract if its bid is accepted will establish to the Purchaser's satisfaction:

- (a) That the Bidder has the financial, technical, and production capability necessary to perform the contract;
- (b) That the Bidder meets the qualification criteria listed in Section VI. In addition the Bidder may furnish full particulars regarding supply of the material in question made so far to TGSPDCL during the last 5 years and other reputed utilities.

18.1 Documents Establishing Materials/equipment Conformity to Bidding Documents.

The Bidder shall furnish as part of its bid, documents establishing conformity to the bidding documents of all Materials / equipment and services, which the Bidder proposes to supply under the Contract.

The documentary evidence of conformity of the Materials / equipment and the services to bidding documents may be in the form of literature, drawings, and data, and will consist of:

- (a) a detailed description of the essential technical and performance characteristics of the Materials / equipment;
- (b) The bidder should specifically mention about furnishing the test certificates and a specimen form of test certificate should be furnished along with the bid.
- (c) a list giving full particulars, including available sources and current prices of spare parts, special tools etc., necessary for the proper and continuing functioning of the Materials / equipment following commencement of the use of the Materials / equipment by the Purchaser; and
- (d) an item-by-item commentary on the Purchaser's Technical Specifications demonstrating substantial responsive-ness of the Materials / equipment and services to those specifications, or a statement of deviations and exceptions to the provisions of the Technical Specifications.

For purposes of the commentary to be furnished pursuant to above, the Bidder will note that standards for workmanship, material, and equipment, as well as references to brand names or catalogue numbers designated by the Purchaser in its Technical Specifications, are intended to be descriptive only and not restrictive. The Bidder may substitute alternative standards, brand names, and/or catalogue numbers in its bid, provided that it demonstrates to the Purchaser's satisfaction that the substitutions ensure substantial equivalence to those designated in the Technical Specifications.

19. Bid Security

- 19.1 The Bidder shall furnish, as part of its bid, a Bid Security in the amount of 2% **(plus GST @18%)** of the Total Ex-works value of the materials offered against the bid. This amount should be paid by way of a crossed demand draft drawn on any schedule bank in favour of the Pay Officer, TGSPDCL and payable at headquarters of the Purchaser. The crossed DD should invariably be furnished along with the bids. **Alternatively the bidders may furnish a B.G. in original in lieu of DD as per the proforma attached.** Fax / photocopies of the bid security will not be accepted and will be rejected.

- 19.2 The fact of having enclosed bid security by **DD/B.G.** along with the bid should be clearly super scribed on the bid envelope. Bids, which do not have the above superscription, will be rejected and returned to the respective bidders unopened.
- 19.3 Submission of BID SECURITY **by way of Cheque, cash, money order, call deposit** will not be accepted and will be considered as disqualification.
- 19.4 Payment of BID SECURITY will be waived at the discretion of the TGSPDCL in the case of fully owned Government undertaking of the Central or State Government. Such undertakings should immediately apply and obtain exemption before submitting their Bids. They need only refer to the details of such exemption in their Bids. Exemption accorded by any organization other than TGSPDCL will not be considered.
- 19.5 Requests for exemption from payment of BID SECURITY will not be entertained in any other case.
- 19.6 Any bid not secured as above will be rejected by the purchaser.
- 19.7 Unsuccessful Bidders' Bid Security will be discharged or returned as promptly as possible as but not later than thirty (30) days after the expiry of the period of bid validity prescribed by the Purchaser.
- 19.8 The successful Bidder's Bid Security will be discharged upon the Bidder signing the contract.
- 19.9 The Bid Security may be forfeited:
- (a) if a Bidder:**
- i. Withdraws its bid or alters its prices during the period of bid validity specified by the Bidder on the Bid Form, or
 - ii. Does not accept the correction of errors pursuant to Clause No.30.2; or
 - iii. Offers post Bid rebates, revisions or deviations in quoted prices and / or conditions or any such offers which will give a benefit to the Bidder over others will not only be rejected outright but the original Bid itself will get disqualified on this account and the Bidder's BID SECURITY will be forfeited.
- (b) In the case of a successful Bidder, if the Bidder fails:**
- i. To sign the contract in accordance with Clause No.37.
 - ii. To furnish performance security in accordance with Clause No.38.
- 19.10 In cases where the Bid Cover Contains superscription of having furnished Bid Security by way of **DD/B.G** but if the same is not found within, such Bids will be rejected and bidder will run the risk of being banned.

Note : The bidder shall furnish required Bid Security amount + GST @18% and validity (The validity of the bank guarantee shall be upto bid validity +45 days from the date of tender opening) as per specification. If the bidder fails to furnish bid security amount and bid validity as stipulated in the specification, such tender bid will not be considered for further evaluation.

20. Period of Validity of Bids.

20.1 Bids shall remain valid for the period of Ninety (90) days from the date of bid opening prescribed by the Purchaser. A bid valid for a shorter period will be rejected.

The bidders should clearly super scribe on the sealed envelopes of the bids about the validity. Bids not containing superscription of validity will be rejected and returned unopened.

20.2 In exceptional circumstances, the Purchaser may solicit the Bidder's consent to an extension of the period of validity. The request and the responses there to will be made in writing (or by cable). The Bid Security provided under Clause No.19 will also be suitably extended. A Bidder may refuse the request without forfeiting its Bid Security.

21. Tax Clearance Certificates:

Copies of Income Tax, GSTR 3B and Turnover Tax certificates for the latest period from the appropriate authority will invariably be enclosed to the bid. In the case of proprietary or partnership firm it will be necessary to produce the certificate / certificates for the proprietor or proprietors and for each of the partners as the case may be. If the Bidder has already produced the certificate during the calendar year in which the bid is made, it will be sufficient, if particulars are given.

22. Service Conditions

22.1 The equipment / materials offered will be entirely satisfactory for operation under the climatic conditions indicated below:

(a)	Maximum ambient air temperature (in shade)	45° C
(b)	Maximum ambient air temperature (under sun)	50° C
(c)	Maximum daily average ambient air temperature	35° C
(d)	Maximum yearly average ambient air temperature	30° C
(e)	Maximum humidity	100%
(f)	Altitude above M.S.L.	Up to 1000M
(g)	Average No. of thunder storm days per annum	50
(h)	Average No. of dust storm days per annum	Occasional
(i)	Average No. of rainy days / annum	90
(j)	Average Annual Rain fall	925mm
(k)	Normal tropical monsoon period	4 months
(l)	Maximum wind pressure	150 kg/Sq.M.

22.2 Due consideration will be given to any special devices or attachments put forward by the Bidder which are calculated to enhance the general utility and the safe and efficient operation of the equipment / materials.

23. Format and Signing of Bid.

23.1 The Bidder shall seal the original bid, duly marking envelope as "ORIGINAL". The envelopes will then be sealed in an outer envelope.

23.2 The original and the copies of the bid shall be typed and shall be signed by the Bidder or a person or persons duly authorized to bind the Bidder to the contract. The person or persons signing the bid will initial all pages of the bid, except for printed literature.

23.3 Any interlineations, erasures, or overwriting will be valid only if they are initialed by the person or persons signing the bid.

D. Submission of Bids

24. Submission, Sealing and Marking of Bids.

24.1 The tenderers are required to submit their bids in two parts as under:

- (i) Part-I : Bid Security, Technical Bid & Qualification Requirements. Technical Bid shall contain full technical particulars and commercial terms and conditions but without prices. This should not contain any cost information whatsoever.

Part-II : Price Bid – containing Prices (**shall be on-line only**)
Bids received with any details pertaining to prices in the offline mode will be rejected
- (ii) The Part-I of tender should be furnished in a sealed cover super scribing tender enquiry number, name of material, name of the bidder and date of tender opening
- (iii) Part-I of the bid will be opened on the due date of tender opening. In case the bidders have been granted Bid Security exemption (clause-19), documentary evidence for the same must be furnished. The firms whose Bid Security, Testing charges and Transaction Fee are not received as specified in the tender document, the price bids will not be opened and their bids will be rejected summarily.
- (iv) The price bids of only those bidders whose technical bids, on examination, are determined to be technically and commercially acceptable and meeting the specified Qualification Criteria will be opened at a later date.

Sealing and Marking of Bids.

24.2 The Bidder shall seal the bid in an envelope.

24.3 The envelopes will be addressed to the Purchaser.

24.4 The sealed cover as well as the outer envelope should be super scribed as follows:

- (a) Bid Enquiry No.
- (b) Due date and time for hard copy and online submission.
- (c) Date and time for online opening.
- (d) Payment of Bid Security
 - (i) If paid, give details: D.D. No..... Date:
- (e) Whether 90days validity offered.....YES / NO
- (f) Payment of testing charges D.D. No..... Date:
- (g) Whether the quotation is made accepting Payment terms clause YES/NO
- (h) Whether the delivery is as per delivery schedule indicated.... YES/NO
- (i) Whether the sample (if specified) has been enclosed/ sent...YES/NO
- (j) Whether the bid is quoted in two parts (clause 24.1).... (YES/NO)

24.5 Bids not super scribed as above are liable to be rejected.

24.6 The Bidder shall invariably complete the Bid in full. Details to be furnished by the bidder and Schedule of Prices attached to the specification and enclose the same to the bid without fail.

- 24.7 The bids shall be in bound volumes (With the documents in the volume not detachable). All pages of the bid except in-amended printed literature shall be initiated by the person/persons signing the bid. The page number shall be referred in Index. All pages including literature, type test reports of the bid shall be numbered and the page numbers shall be continuous. Soft copy of the technical and commercial bids and designs with drawings shall be given in Floppy disc/ CD also. Summary sheet in the given format on the top of the bid duly signed and sealed by the bidder.
- 24.8 The time of actual receipt in the office only will count for the acceptance of the bid and either the date of bid, date stamp of post office or date stamp of any other office will not count. The TGSPDCL will not be responsible for any postal or any other transit delays.
- 24.9 Telegraphic quotations will not be entertained under any circumstances. Clarification, amplifications, and/or any other correspondence from the Bidder subsequent to the opening of bid will not be entertained. The Bidders are advised to ensure that their bids are sent in complete shape at the first instance itself.
- 24.10 The inner envelopes shall also indicate the name and address of the Bidder to enable the bid to be returned unopened in case it is declared "late".
- 24.11 If the outer envelope is not sealed and marked as required above, the Purchaser will assume no responsibility for the bid's misplacement or premature opening.

25. Deadline for Submission of Bids.

- 25.1 Bids together with modifications if any, or other withdrawals must be received by the Purchaser not later than the deadline for submission of bids specified in the Salient features of the Bid.
- 25.2 The Purchaser may, at its discretion, extend this deadline for the submission of bids by amending the bidding documents in which case all rights and obligations of the Purchaser and Bidders previously subject to the deadline will thereafter be subject to the deadline as extended.

26. Late Bids

- 26.1 Any bid received by the Purchaser after the deadline for submission of bids prescribed by the Purchaser will be rejected and returned unopened to the Bidder.

26.2 Modification and Withdrawal of Bids.

The Bidder may modify or withdraw its bid after the bid's submission, provided that written notice of the modification, including substitution or withdrawal of the bids, is received by the Purchaser prior to the deadline prescribed for submission of bids.

The Bidder's modification or withdrawal notice will be prepared, sealed, marked, and dispatched. A withdrawal notice may also be sent by cable, but followed by a signed confirmation copy, postmarked not later than the deadline for submission of bids. No bid may be modified after the deadline for submission of bids.

No bid may be withdrawn in the interval between the deadline for submission of bids and the expiration of the period of bid validity specified. Withdrawal of a bid during this interval may result in the forfeiture of its Bid Security.

E. Opening and Evaluation of Bids

27. Opening of Bids by the Purchaser

- 27.1 The Purchaser will open all bids meeting above criteria at the time, on the date, and at the place specified.
- 27.2 The Bidders' names, bid modifications or withdrawals, discounts and the presence or absence of requisite Bid Security and such other details as the Purchaser, at its discretion, may consider appropriate, will be announced at the opening.
- 27.3 Bids that are not opened at bid opening will not be considered further for evaluation, irrespective of the circumstances.

28. Clarification of Bids

During evaluation of the bids, the Purchaser may, at its discretion, ask the Bidder for a clarification of its bid. The request for clarification and the response shall be in writing, and no change in the prices or substance of the bid shall be sought, offered, or permitted.

29. Preliminary Examination

- 29.1 The Purchaser will examine the bids to determine whether they are complete, whether any computational errors have been made, whether required sureties have been furnished, whether the documents have been properly signed, and whether the bids are generally in order.
- 29.2 Arithmetical errors will be rectified on the following basis. If there is a discrepancy between the unit price and the total price that is obtained by multiplying the unit price and quantity, the unit price will prevail, and the total price will be corrected. If the Supplier does not accept the correction of the errors, its bid will be rejected, and its Bid Security may be forfeited. If there is a discrepancy between words and figures, the amount in words will prevail. If the supplier does not accept the correction of the errors, its bid will be rejected and its Bid Security may be forfeited.
- 29.3 The Purchaser may waive any minor informality, nonconformity, or irregularity in bid which does not constitute a material deviation, provided such waiver doesn't prejudice or affect the relative ranking of any Bidder.
- 29.4 Prior to the detailed evaluation, the Purchaser will determine the substantial responsiveness of each bid to the bidding documents. For purposes of these Clauses, a substantially responsive bid is one, which conforms to all the terms and conditions of the bidding documents without material deviations. Deviations from, or objections or reservations to critical provisions, such as those concerning Bid Security, and Taxes and Duties will be deemed to be a material deviation. The Purchaser's determination of a bid's responsiveness is to be based on the contents of the bid itself without recourse to extrinsic evidence.
- 29.5 If a bid is not substantially responsive, it will be rejected by the Purchaser and may not subsequently be made responsive by the Bidder by correction of the nonconformity.

Note : Payment terms, Delivery period, Performance Bank Guarantee, Taxes and Duties" should be in line with the terms and conditions of the specification. If any bidder does not meet any one of the conditions, such tender will not be considered. Please note that the conditional offers are also not considered. Hence the bidder shall submit the tender in line with the terms and conditions of the specification.

30. Evaluation and Comparison of Bids.

- 30.1 The Purchaser will evaluate and compare the bids, which have been determined to be substantially responsive.
- 30.2 The Purchaser's evaluation of a bid will take into consideration one or more of the following factors

All the bids, which are opened, read out and considered for evaluation, will be checked for qualification requirements in respect of technical and commercial aspects. Such of the bids, which do not meet the qualification requirements, will not be evaluated further. The bid is to be checked for its conformity to the technical specification. If it does not meet the technical specification, the Bid will not be evaluated further. However, if in the opinion of the purchaser the bidder has offered equipment / material better than the technical specification the same may be considered. The bid may be rejected for the following reasons:

1. Not in the prescribed form
 2. Insufficient bid security or bid not accompanied by the required bid security or proof of exemption.
 3. Bids not properly signed
 4. The bidder is a vendor who is banned from further business transactions and the period of ban is still in force.
 5. Bid received after the due date and time
 6. The bid is through telegram or fax
- Further, the purchaser may enquire from the bidder in writing for any clarification of the bid. The response of the bidder will also be in writing. However no change in the prices or substance of the bid will be sought, offered or permitted.
 - Bids will be examined for completeness and for any computational errors.
 - Arithmetical errors will be rectified on the following basis.
 - Where there is a discrepancy between the unit price and total price, the unit price will prevail and the total price will be corrected accordingly.
 - Where there is a discrepancy between words and figures, the amount in words will prevail.
 - Failure on the part of the bidder to agree to the above corrections will result in rejection of his offer and forfeiture of his bid security.
 - It will be ensured that the required sureties have been furnished and that the documents have been properly signed.
 - The purchaser's evaluation of a bid will take into consideration one or more of the following factors
 - (a) Delivery schedule offered in the bid;
 - (b) Deviations in payment schedule from that specified in the general terms and conditions of the contract and technical deviations.
 - (c) The cost of components, mandatory spare parts, and service;
 - (d) The availability of spare parts and after-sales services for the equipment offered in the Bid;

- (e) The projected operating and maintenance costs during the life of the equipment;
- (f) The performance and productivity of the equipment offered;
- (g) Other specific criteria indicated in the Bidding documents.

In addition the Purchaser's evaluation of a bid will take into account the net landed cost of the material at the final destination. For the purpose of evaluation net landed cost is arrived at by adding all elements of the basic price, allowable discount, excise duty & any other levies, packing & forwarding, freight charges, insurance (transit & storage) as quoted by the bidder, interest on advance if any, erection, servicing other charges and **inclusive of GST** as called for.

In addition any variation up or down in taxes and duties / new levies introduced subsequent to bid opening and before award will be considered for comparison purposes.

The following criteria may be adopted for taxes and duties for evaluation

- a. It is the responsibility of the bidder to quote all taxes and duties correctly without leaving any column unfilled. Where taxes and duties are not applicable the bidder should enter "NA". If no duty / tax is le-viable the same may be entered as "NIL". If any column is left blank or filled vaguely like "as applicable", the same will be loaded with the maximum of the other eligible Bids.
 - b. Where there is an exemption of taxes, the documentary evidence to that effect will be enclosed by the supplier.
 - c. **The bidders for supply and works shall invariably possess the GSTIN number and PAN Number for the bids above Rs. 5.00 lakhs and this must be verified before entering into contract.**
- Prior to detailed evaluation, the responsiveness of each bid will be determined. A substantially responsive bid is one that conforms to all the terms and conditions of the bidding documents without material deviations. For this purpose superscription, qualification requirement, bid security, validity, delivery, payment term, price schedule, taxes and duties will be deemed to be the critical provisions and deviations in any one of these items will be deemed to be a material deviation. The purchaser may waive any minor informality, non-conformity or irregularity in the bid which does not constitute a material deviation, provided such waiver does not affect the relative ranking of any bidder. The purchaser will clearly indicate in the bid specification the methodology for evaluation of bids.
 - (a) Bid price, which will include all, costs of manufacture and services at manufacturing place as well as, Transportation to destination stores, packing and forwarding, insurance and all Taxes & other legally permissible duties& levies payable.
 - (b) Delivery schedule offered in the bid.
 - (c) Deviations in payment schedule from that specified in the general terms and conditions of the contract.
 - (d) The cost of components, mandatory spare parts, and service

- (e) The availability of spare parts and after-sales services for the equipment offered in the Bid;
- (f) The projected operating and maintenance costs during the life of the equipment;
- (g) The performance and productivity of the equipment offered; and/or
- (h) Other specific criteria indicated in the Bid Specification.

30.3(a) The Purchaser's evaluation of a bid will take into account the Net Landed Cost of the Material at destination stores inclusive of all taxes and duties and **inclusive of GST** quoted by the Bidder. It is the responsibility of the bidder to quote all Taxes and Duties correctly without leaving any column unfilled. Where not applicable the column may be filled as "NA". If no duty / tax is le-viable the same may be filled as "NIL". If any column is left blank the same is loaded with maximum of other eligible Bids.

30.3(b) Any statutory variations of taxes and duties and new levies imposed after opening of the bid and before award of the contract will be taken into consideration for the purpose of evaluation.

30.4 A substantially responsive bid is one, which conforms to all the terms and conditions of the bidding documents without material deviations. For this purpose superscription, qualification requirement, bid security, validity, delivery, payment term, price schedule, submission of Types test certificates (as per Clause 4 section VI), taxes and duties will be deemed to the critical provisions and deviations in any one of these things will be deemed to be a material deviation.

31. Contacting the Purchaser.

31.1 From the time of the bid opening to the time of contract award, if any Bidder wishes to contact the Purchaser on any matter related to the bid, it should do so in writing.

31.2 Any effort by a Bidder to influence the Purchaser in its decisions on bid evaluation, bid comparison, or contract award will result in the rejection of the Bidder's bid.

F. Award of Contract.

32. Post Qualification

32.1 In the absence of pre-qualification, the Purchaser will determine to its satisfaction whether the Bidder that is selected as having submitted the lowest evaluated responsive bid is qualified to perform the contract satisfactorily.

32.2 The determination will take into account the Bidder's financial, and production capabilities. It will be based upon an examination of the documentary evidence of the Bidder's qualification submitted by the Bidder, as well as such other information as the Purchaser deems necessary and appropriate.

33. Award Criteria:

The Purchaser will award the contract to the successful Bidder / Bidders whose bid has / have been determined to be substantially responsive.

However it is not binding on TGSPDCL to accept the lowest or any other Bid. It reserves the right to place orders on different Bidders.

34. Purchaser's Right to Vary Quantities at Time of Award

- 34.1 The Purchaser reserves the right at the time of contract award to increase or decrease the quantity by +/- 50% of Materials / equipment and services originally specified in the Schedule of Requirements without any change in unit price or other terms and conditions.
- 34.2 The purchaser reserves the right to vary the ordered quantity by +/- 50% during the execution of the contract.

35. Purchaser's Right to Accept Any Bid and to Reject Any or All Bids

The Purchaser reserves the right to accept or reject any bid, and to annul the bidding process and reject all bids at any time prior to contract award, without thereby incurring any liability to the affected Bidder or Bidders or any obligation to inform the affected bidder or bidders.

36. Notification of Award

- 36.1 Prior to the expiration of the period of bid validity, the Purchaser will notify the Successful Bidder in writing by registered letter or by cable, to be confirmed in writing by registered letter, that its bid has been accepted.
- 36.2 The notification of award will constitute the formation of the Contract.
- 36.3 Upon the successful Bidder's furnishing of the performance security, the Purchaser enters into contract with successful Bidder / Bidders. The Purchaser will notify each unsuccessful Bidder and will discharge its Bid Security.

37. Signing of Contract:

The Purchaser notifies the successful Bidder that its bid has been accepted. Within 30 (thirty days) of receipt of notification of award of Contract, the successful Bidder will sign and date the contract. Failure to comply with this stipulation will entail cancellation of the contract besides forfeiture of the bid security.

38. Performance Security:

- 38.1 Within Fifteen (15) days of receipt of the notification of Contract award. The successful Bidder will furnish to the Purchaser the performance security for an amount 10% of the contract value for proper fulfillment of the contract, which will include the warranty period, and completion of performance obligations including Warranty obligations. The Performance Security will cover 60 days beyond the date of completion of performance obligations including Warranty obligations.

In the event of any correction of defects or replacement of defective material during the warranty period, the warranty for the corrected / replaced material will be extended to a further period of 12 months and the Performance Bank Guarantee for proportionate value will be extended 60 days over and above the extended warranty period.

- 38.2 The proceeds of the performance security will be payable to the Purchaser as compensation for any loss resulting from the Supplier's failure to complete its obligations under the Contract.
- 38.3 The performance security will be...

(a) A bank guarantee issued by a **Nationalized bank or scheduled bank** acceptable to the Purchaser, in the form provided in the bidding documents.

(b) A banker's cheque or crossed DD or Pay Order payable at the Head quarter of the Purchaser in favour of the Purchaser drawn on any scheduled bank.

- 38.4 The performance security will be discharged by the Purchaser and returned to the Supplier not later than sixty (60) days after the expiry date.
- 38.5 Failure of the successful Bidder to comply with the above requirement will entail cancellation of the award and forfeiture of the Bid Security and the balance to make up the performance security deposit will be deducted from pending payments if any due to the tenderer from TGSPDCL on other orders in addition the company will also become liable for being black listed by TGSPDCL.

39. Corrupt or Fraudulent Practices

It is essential that the Purchaser as well as Bidder/supplier / contractor for the purposes of this provision, the terms set forth below as follows:

(i) "Corrupt practice" means the offering, giving, receiving or soliciting of any thing of value to influence the action of a public official in the procurement process or in contract execution, and

(ii) "Fraudulent practice" means a misrepresentation of facts in order to influence a procurement process or the execution of a contract to the detriment of the purchaser, and includes collusive practice among Bidders (prior to or after bid submission) designed to establish bid prices at artificial non-competitive levels and to deprive the purchaser of the benefits of free and open competition;

(iii) Will reject a proposal for award if it determines that the Bidder recommended for award has engaged in corrupt or fraudulent practices in competing for the contract in question;

(iv) Will declare a firm ineligible, either indefinitely or for a stated period of time, to be awarded a contract if it at anytime determines that the firm has engaged in corrupt or fraudulent practices in competing for, or in executing, a contract.

40. Use of Contract Documents and Information:

- 40.1 The Supplier will not, without the Purchaser's prior written consent, disclose the Contract, or any provision thereof, of any specification, plan, drawing, pattern, sample, or information furnished by or on behalf of the Purchaser in connection therewith, to any person other than a person employed by the Supplier in the performance of the Contract. Disclosure to any such employed person will be made in confidence and will extend only so far as may be necessary for purposes of such performance.
- 40.2 The Supplier will not, without the Purchaser's prior written consent, make use of any document or information except for purposes of performing the Contract.
- 40.3 Any document, other than the Contract itself, will remain the property of the Purchaser and will be returned (in all copies) to the Purchaser on completion of the supplier's performance under the Contract if so required by the Purchaser.
- 40.4 The Supplier will permit the Purchaser or his authorized representative to inspect the Supplier's accounts and records relating to the performance of the Supplier and to have them audited by auditors appointed by the Supplier.

41. Patent Rights

The Supplier will indemnify the Purchaser against all third-party claims of infringement of patent, trademark, or industrial design rights arising from use of the Materials / equipment or any part thereof.

42. Places / Locations:

Particulars of site location and nearest rail heads to which the equipments / material have to be supplied will be given to successful Bidders.

43. Delivery:

Delivery period will be reckoned from the date of signing of the contract. The delivery quoted will be firm, definite, unconditional and on the basis of receipt of materials at destination in good condition without any bearing on the procurement of raw materials or any similar prerequisites. The commencement date and date of delivery will be indicted. The preferred delivery time, which is the essence of this specification, is indicated in the schedule. Final deliveries are however, subject to confirmation at the time of Contract. Delay in delivery of materials FADS – (Free At Destination Store) due to non-availability of railway booking, non-allotment of wagons and any such reasons will not be considered. It is the responsibility of the supplier to make alternative arrangements for transporting the materials by road or rail so as to see that the material reaches the destination within the stipulated period. The Purchaser reserves its right to defer the delivery date at any time after orders are placed without any change in the conclusion of contract other conditions supply. The delivery period, which will be reckoned from the date of the Contract, will be guaranteed under penalty as in Clause 61.

44. Inspections and Tests

- (i) The supplier will keep the Purchaser informed in advance of the time of the starting and the progress of manufacture of equipment in its various stages so that arrangement could be made for inspection. The accredited representative of the TGSPDCL will have access to the supplier's or his subcontractor's work at any time during working hours for the purpose of inspecting the materials during manufacturing of the materials / equipment and testing and may select test samples from the materials going into plant and equipment. The supplier will provide the facilities for testing such samples at any time including access to drawings and production data at no charge to Purchaser. As soon as the materials are ready the supplier will duly send intimation to TGSPDCL by Regd. Post and carry out the tests in the presence of representative of the TGSPDCL.
- (ii) The TGSPDCL may at its option get the materials inspected by the third party if it feels necessary and all inspection charges in this connection will be borne by the TGSPDCL. In case of material, not of acceptable quality or not conforming to the specification, the materials will be rejected. The material has to be re-offered for inspection. In such a case the 2nd inspection charges are to suppliers account. In case the materials are rejected in the 2nd inspection also, the TGSPDCL reserves the right to cancel the order.
- (iii) The dispatches will be affected only if the test results comply with the specification. The dispatches will be made only after the inspection by the TGSPDCL Officer is completed to the TGSPDCL satisfaction or such inspection is waived by the competent authority.

- (iv) The acceptance of any quantity of materials will in no way relieve the supplier of its responsibility for meeting all the requirements of this specification and will not prevent subsequent rejection if such materials are later found to be defective.
- (v) The supplier will give 15 days advance intimation to enable the Purchaser to depute his representative for witnessing the acceptance and routine tests.
- (vi) Should any inspected or tested materials / equipment fail to conform to the specification, the Purchaser may reject the materials and supplier will either replace the rejected materials or make alterations necessary to meet specifications requirements free of costs to the Purchaser.
- (vii) In the case of transformers, instrument transformers and meters inspection will be conducted every year, for the first 5 years on a 2% sample of the quantities supplied. Samples will be collected at random to establish that the guaranteed technical parameters are as per the submitted bid by the supplier. In the case of non-adherence, the purchaser may take suitable action on the supplier including cancellation of vendor registration and banning further dealings, depending on the gravity of the deviation. These random inspections may be entrusted to a third party.

(viii) Inspection not carried out due to non-readiness of the material even after contacting / confirmed over phone from the supplier about availability of material and physical verification at the supplier premises, the charges @ 0.3% of Ex-works price of material offered for inspection (inclusive of service tax and all other taxes & duties, travelling expenses, boarding and lodging charges at the place of inspection and all incidental charges) shall be paid by supplier subject to a maximum of Rs. 10,000.00 .

45. Name Plate:

Equipment should be provided with name plate giving full details of manufacture, capacities and other details as specified in the relevant ISS or other specification stipulated. The contract No. and date and year of supply and the words "TGSPDCL" must be etched on the name plate.

46. Packing

- 46.1 The Supplier will provide such packing of the Materials / equipment as is required to prevent their damage or deterioration during transit to their final destination, as indicated in the Contract. The packing will be sufficient to withstand, without limitation, rough handling during transit and exposure to extreme temperatures, salt and precipitation during transit, and open storage. Packing case size and weights will take into consideration, where appropriate, the remoteness of the Materials / equipment' final destination and the absence of heavy handling facilities at all points in transit.
- 46.2 The packing, marking, and documentation and outside the packages will comply strictly with such special requirements as will be expressly provided for in the Contract and in any subsequent instructions ordered by the Purchaser. The supplier will be required to make separate packages for each consignee; each package will be marked on three sides with proper paint / indelible ink with the following;

1. Contract Number
2. Supplier's name
3. Packing list reference number

- 46.3 The supplier, whenever dispatches material to a destination should prepare the following information in the form of packing slip in quadruplicate and send the same to the consignee and obtain his acknowledgement. The consignee will return to the supplier one copy of the packing slip with his remarks. The proforma of packing slip will be as follows:

PACKING SLIP

1. Contract No. & Date.
2. Quantity allotted to the stores and rate applicable.
3. Quantity so far supplied to the stores and the rate applied.
4. Quantity now supplied and the rate applied.
5. Total quantity supplied under the Contract with rates applied.
6. Programme for supplying the balance quantity to the Stores.

47. Delivery Documents

- 47.1 Delivery of the Materials/equipment will be made by the Supplier in accordance with the terms specified in the contract.

The latest test certificates containing the result of the tests as per the relevant ISS or other specification stipulated must be submitted to the Chief General Manager (P&MM) and got approved by him.

- 47.2 Documents to be submitted by the Supplier are specified as under...

- (i) Insurance certificate;
- (ii) Supplier's certificate certifying that the defects if any pointed out during inspection has been rectified (3 copies).
- (iii) Manuals in Six sets and one set of reproducible drawings.

The Purchaser will receive the above documents soon after the dispatch of materials and if not received, the supplier will be responsible for any consequent expenses.

48. Insurance

- 48.1.1 The Materials / equipment supplied under the Contract will be fully insured against loss or damage incidental to manufacture or acquisition, transportation and delivery and also storage for 45 days at destination stores before taking into account.

- 48.1.2 The bidder shall a) Initiate and pursue insurance claim till settlement, and b) Promptly arrange for repair and/or replacement of any damaged items in full irrespective of settlement of insurance claim by the under Writers. c) All costs because of insurance liabilities covered under the contract will be to supplier's account. The supplier shall provide the Purchaser with a copy of all insurance policies and documents taken out by him in pursuance of the 'Contract'. Such copies of documents shall be submitted to the purchaser immediately after such insurance coverage. The supplier shall also inform the Purchaser in writing at least sixty (60) days in advance, regarding the expiry, cancellation and/or change in any of such documents and ensure revalidation/renewal etc., as may be necessary well in time.

The risks that are to be covered under the insurance shall be comprehensive and shall include but not limited to, the loss or damage in transit, storage, due to theft, pilferage, riot, civil commotion, weather conditions, accident of all kinds, fire, flood, war risk(during ocean transportation) bad or rough handling etc. The scope of such insurance shall cover the entire contract value.

The insurance will be in an amount equal to 100% FADS value of Materials / equipment on all risks basis. The policy will have a provision for extension to cover further storage if necessary at destination stores / site at TGSPDCL cost. The supplier will take the insurance cover in the name of purchaser.

49. Transportation

The Supplier is required under the Contract to transport the Materials / equipment to a specified place of destination defined as normally the district stores, transport to such place of destination, including insurance and storage, will be arranged by the Supplier, and the related costs will be included in the Contract Price only.

50. Incidental Services

The Supplier may be required to provide any or all of the following services, including additional services, if any.

- (a) Performance or supervision of on-site assembly and/or start-up of the supplied Materials / equipment;
- (b) Furnishing of tools required for assembly and/or maintenance of the supplied Materials / equipment;
- (c) Furnishing of a detailed operations and maintenance manual for each appropriate unit of the supplied Materials / equipment;
- (d) Performance or supervision or maintenance and/or repair of the supplied Materials / equipment, during warranty period, provided that this service will not relieve the Supplier of any warranty obligations under this contract; and
- (e) Training of the Purchaser's personnel, at the Suppliers' plant and/or on-site, in assembly, start-up, operation, maintenance, and/or repair of the supplied Materials / equipment.

51. Spare Parts

The Supplier may be required to provide any or all of the following materials, notifications, and information pertaining to spare parts manufactured or distributed by the Supplier.

- (a) Such spare parts as the Purchaser may choose to purchase from the Supplier, provided that this election will not relieve the supplier of any warranty obligations under the contract; and
- (b) In the event of termination of production of the spare parts:
- (c) Advance notification to the Purchaser of the impending termination.
- (d) Time to permit the Purchase to procure needed requirement; and following such termination, furnishing at no cost to the Purchaser, the blueprints, drawings, and specifications of the spare parts, if requested.

52. Warranty

- 52.1 The supplier will warrant for the satisfactory functioning of the material / equipment as per specification for a minimum period of **18 Months** from the date of receipt of the material / equipment in good condition.

- 52.2 The Supplier warrants that the Materials/equipment supplied under the Contract are new, unused, of the most recent or current models and that they incorporate all recent improvements in design and materials unless provided otherwise in the Contract. The supplier further warrants that all Materials/equipment supplied under this Contract will have no defect, arising from a design and /or materials as required by the Purchaser's specifications or from any act of omission of the Supplier that may develop under normal use of the supplied Materials/equipment.
- 52.3 All the material will be of the best class and will be capable of satisfactory operation in the tropics under service conditions indicated in clause 23.1 without distortion or deterioration. No welding filling or plugging of defective parts will be permitted, unless otherwise specified, they will conform to the requirements of the appropriate Indian, British or American Standards. (Where a standard specification covering the material in question has not been published, the standards of the American Society for testing of Materials should be followed).
- 52.4 The entire designs and construction will be capable of withstanding the severest stresses likely to occur in actual service and of resisting rough handling during transport.
- 52.5 Unless otherwise specified the warranty period will be 18 Months from the date of acceptance of the Materials / equipment. The Supplier will, in addition, comply with the performance guarantees specified under the contract. If, for reasons attributable to the Supplier, these guarantees are not attained in whole or in part, the supplier will at its discretion either, Make such changes, modifications, and/or additions to the Materials / equipment or any part thereof as may be necessary in order to attain the contractual guarantees specified in the contract at its own cost and expense and to carry out further performance tests as per the relevant standards.
- 52.6 The Purchaser will promptly notify the supplier in writing of any claims arising under this warranty.
- 52.7 "Upon receipt of such notice, the Supplier will within 30 days repair or replace the defective Materials/equipment or parts thereof, free of cost at the ultimate destination. The supplier will take over the replaced parts/Materials / equipment at the time of their replacement. No claim whatsoever will lie on the Purchaser for the replaced parts/Materials/equipment thereafter". In the event of any correction of defects or replacement of defective material during the warranty period, the warranty for the corrected/replaced material will be extended to a further period of 12 months.
- 52.8 If the Supplier, having been notified, fails to remedy the defect(s) within the above period, the Purchaser may proceed to take such remedial action as may be necessary, at the Supplier's risk and expense duly deducting the expenditure from subsequent bills / bank guarantee and without prejudice to any other rights which the Purchaser may have against the Supplier under the Contract.

53. Payment

"100% payment will be arranged **on or after 30 days** from the date receipt of material/equipment at the destination/stores (i.e.103 entry in SAP module) duly transferring the said amount to the bank account of the supplier by the purchaser bank. The supplier will have to predefine the Bank details while entering into contract for electronic transfer of payments.

Note:

- i) The date of delivery would be the date on which the stores officer certifies the receipt of materials at stores in good condition 103 entry in SAP module in respective of the date of check measurement.
- ii) Form 13 shall be issued subject to material taken into stock in good condition (i.e. 105 entry in SAP module)
- iii) The supplier should invariably submit test certificates as soon as despatch is made so that the test certificates can be checked up and approved well before it becomes due for payment. Routine Test Certificates of the entire lot shall be submitted to the Consignee.
- iv) The performance guarantee to be executed in accordance with this specification shall be furnished on a stamp value of Rs.100/- The performance guarantee shall be from any Nationalized/Scheduled Bank. Performance Guarantee to the extent of 10% value of purchase order valid upto 2 months over and above the guarantee period to draw 100% payment.

The performance guarantee has to be extended suitably by you in accordance with the guarantee clause, so that the last consignment against the order is covered by the guarantee.

- v) If you have received any over payments by mistake or if any amounts are due to the TGSPDCL due to any other reason, when it is not possible to recover such amounts under the contract resulting out of the subject specification, the TGSPDCL reserves the right to collect the same from any other amounts and/or bank guarantee given by you due to or with the TGSPDCL.
- vi) When you do not at any time, fulfill your obligations in replacing / rectifying etc., of the damaged/ defective materials in part or whole promptly to the satisfaction of the TGSPDCL officers, the TGSPDCL reserves the right not to accept the bills against subsequent dispatches made by the supplier and only the supplier will be responsible for any demurrages, wharf ages or damages occurring to the consignment so dispatched.

54. Prices

Prices charged by the Supplier for Materials / equipment delivered and Services performed under the Contract will not vary from the prices quoted by the supplier in its bid, with the exception of any price adjustment authorized in the contract.

55. Change Orders

The Purchaser may at any time, by a written order given to the Supplier make changes within the general scope of the Contract in any one or more of the following:

- (a) Drawings, designs, or specifications, where Materials / equipment to be furnished under the Contract are to be specifically manufactured for the Purchaser;
- (b) The method of shipment or packing;
- (c) The place of delivery; and/or
- (d) The Services to be provided by the Supplier.

56. Contract Amendments

No variation in or modification of the terms of the Contract will be made except by written amendment by the Purchaser and accepted by the supplier.

57. Assignment

The Supplier will not assign, in whole or in part, its obligations to perform under this Contract, except with the Purchaser's prior written consent.

58. Delays in Supplier's Performance

58.1 Delivery of the Materials / equipment will be made by the Supplier in accordance with the time schedule prescribed by the Purchaser in the Schedule of Requirements.

58.2 If at any time during performance of the Contract, the Supplier should encounter conditions impeding timely delivery of the Materials / equipment, the Supplier will promptly notify the Purchaser in writing of the fact of the delay, its likely duration and its cause(s). As soon as practicable after receipt of the Supplier's notice, the Purchaser will evaluate the situation and may at its discretion extend the Supplier's time for performance, with or without liquidated damages, in which case the extension will be ratified by the parties by amendment of the Contract.

58.3 Except as provided under force measure clause a delay by the Supplier in the performance of its delivery obligations will render the Supplier liable to the imposition of liquidated damages unless an extension of time is agreed upon without the application of liquidated damages.

59. Penalty for delay in supplies

The time for and the dates for delivery mentioned in the contract will be deemed to be the essence of the contract. Subject to force measure Clause No.64, if the Supplier fails to deliver any or all of the Materials/equipment or to perform the Services within the period(s) specified in the Contract, the Purchaser will, without prejudice to its other remedies under the Contract, deduct from the Contract Price, as liquidated damages, a sum equivalent to 0.5% per week on the undelivered portion subject to a maximum of 5% of the cost of the undelivered portion within scheduled time. Once the maximum is reached the Purchaser may consider termination of the contract.

The check measurement date i.e., the date of receipt of materials at destination stores in good condition will be taken as the date of delivery. For calculation of penalty the date of receipt of material at the destination stores is the date of delivery subject to the condition that the goods/material are received in good condition. Materials / Equipment which are not of acceptable quality or are not confirming to the specification would be deemed to be not delivered. For penalty, the number of days would be rounded off to the nearest week and penalty calculated accordingly.

The penalty specified above will be levied and would be adjusted against subsequent pending bills.

In cases where new vendors fail to meet the requirement of the Contract there would be no penalty to such vendors but they will be excluded from the next bid for the particular item of the material.

Any failure on the part of new vendors for a second time would cause them to be removed from the list of registered vendors.

60. Risk Purchase

In case of supplier who has not adhered to the delivery schedule, the TGSPDCL reserves the right to purchase the balance quantity from the open market/floating another tender and recover the extra expenditure thus incurred from the supplier.

61 Termination for Default

61.1 The Purchaser, without prejudice to any other remedy for breach of Contract, by written notice of default sent to the Supplier, may terminate this Contract in whole or in part:

i. If the Supplier fails to deliver any or all of the Materials / equipment within the period(s) specified in the Contract, or within any extension thereof granted by the Purchaser.

ii. If the Supplier fails to perform any other obligation(s) under the Contract.

iii. If the Supplier, in the judgment of the Purchaser has engaged in corrupt or fraudulent practices in competing for or in executing the Contract.

61.2 In the event the Purchaser terminates the Contract in whole or in part, the Purchaser may procure, upon such terms and in such manner, as it deems appropriate, Materials / equipment or services similar to those undelivered, and the Supplier will be liable to the Purchaser for any excess costs for such similar Materials / equipment or Services. However, the Supplier will continue performance of the Contract to the extent not terminated.

62. Termination for Insolvency

The Purchaser may at any time terminate the Contract by giving written notice to the Supplier if the Supplier becomes bankrupt or otherwise insolvent. In this event, termination will be without compensation to the supplier, provided that such termination will not prejudice or not affect any right of action or remedy, which has accrued or will accrue thereafter to the Purchaser.

63. Termination for Convenience

63.1 The Purchaser, by written notice sent to the Supplier, may terminate the Contract, in whole or in part, at any time for its convenience. The notice of termination will specify the termination is for the Purchaser's convenience, the extent to which performance of the supplier under the Contract is terminated, and date upon which termination becomes effective.

63.2 However the Materials / equipment that are complete and ready for shipment within thirty (30) days after the supplier's receipt of notice of termination will be accepted by the Purchaser at the Contract terms and prices.

64. Force Majeure

64.1 The Supplier will not be liable for forfeiture of its performance security, penalty for late delivery, or termination for default if and to the extent that its delay in performance or other failure to perform its obligations under the Contract is the result of an event of Force Majeure.

- 64.2 For purposes of this clause, "Force Majeure" means an event beyond the control of the Supplier and not involving the Supplier's fault or negligence and not foreseeable. Such events may include, but are not restricted to, wars or revolutions fires, floods, epidemics, quarantine restrictions, and freight embargoes.
- 64.3 If a Force Majeure situation arises, the supplier will promptly notify the Purchaser in writing of such condition and the cause thereof. Unless otherwise directed by the Purchaser in writing, the Supplier will continue to perform its obligations under the Contract as far as is reasonably practice, and will seek all reasonable alternative means for performance not prevented by the Force Majeure event.

No price variance will be allowed during the period of force measure.

65. Settlement of Disputes

- 65.1 If any dispute or difference of any kind whatsoever will arise between the Purchaser and the Supplier in connection with or arising out of the Contract, the parties will make every effort to resolve amicably such dispute or difference by mutual consultation.
- 65.2 If, after thirty (30) days the parties have failed to resolve their dispute or difference by such mutual consultation, then either the Purchaser or the Supplier may give notice to the other party of its intention to commence arbitration, as hereinafter provided, as to the matter in dispute, and no arbitration in respect of this matter may be commenced unless such notice is given.
- 65.3 Any dispute of difference in respect of which a notice of intention to commence arbitration has been given in accordance with this Clause will be finally settled by arbitration. Arbitration may be commenced prior to or after delivery of the Materials / equipment under the Contract.
- 65.4 Arbitration proceedings will be conducted in accordance with the following rules of procedure. The dispute resolution mechanism will be as follows:
- (a) In the case of a dispute or difference arising between the Purchaser and a Supplier relating to any matter arising out of or connected with this agreement, such dispute or difference will be settled in accordance with the Arbitration and Conciliation Act. 1996. The Arbitral Tribunal will consist of three Arbitrators one each to be appointed by the Purchaser and the supplier the Third Arbitrator will be chosen by the two Arbitrators so appointed by the parties and will acts as Presiding Arbitrator. In case of failure of the two Arbitrators appointed by the parties to reach upon a consensus within period of 30 days from the appointment of the Arbitrator appointed subsequently, the Presiding Arbitrator will be appointed by The Institution of Engineers (India).
 - (a) If one of the Parties fails to appoint its Arbitrator in pursuance of Sub-Clause (a) within 30 days after receipt of the notice of the appointment of its Arbitrator by The Institution of Engineers (India), will appoint the Arbitrator. A certified copy of the order of the Institution of Engineers (India), making such an appointment will be furnished to each to the parties.
 - (b) Arbitration Proceedings will be held at Purchaser's Headquarters, and the language of the Arbitration Proceedings and that of all documents and communication between the parties will be English.

- (c) The decision of the majority of Arbitrators will be final and binding upon both parties. The cost and expenses of Arbitration Proceedings will be paid as determined by the Arbitral Tribunal. However, the expenses incurred by each party in connection with the preparation, presentation etc., of its proceedings as also the fees and expenses paid to the Arbitrator appointed by such party or on its behalf will be borne by each party itself.
- (d) Where the value of the Contract is Rs. One Crore and below, the disputes or differences arising will be referred to the Sole Arbitrator. The Sole Arbitrator should be appointed by agreement between the parties; failing such agreement, by the appointing authority namely The Institution of Engineers (India).

65.5 Notwithstanding any reference to arbitration herein,

- (a) The parties will continue to perform their respective obligations under the Contract unless they otherwise agree; and
- (b) The Purchaser will pay the Supplier any monies due the Supplier.

66. Jurisdiction

All and any disputes or differences arising out of or touching this contract will be decided by the Courts or Tribunals situated in Purchaser's Headquarters only. No suit or other legal proceedings will be instituted elsewhere.

67. Notices

- 67.1 Any notice given by one party to the other pursuant to this Contract will be sent to the other party in writing or by cable, telex, or facsimile and confirmed in writing to the other party's address.
- 67.2 A notice will be effective when delivered or on the notice's effective date, whichever is later.

68. Foreign Exchange

No Foreign Exchange is available or expected for this purchase. Offers which do not require release of F.E. or procurement of import license by TGSPDCL only will be considered. Where some of the components are to be imported the manufacturer will have to make their own arrangements for import license etc., and should not look for any assistance from TGSPDCL.

**SECTION-IV
SCHEDULE OF REQUIREMENT
STN-1180/2024**

Sl. No.	Description	CT Ratio	Qty. (Nos.)	Free at Destination Stores
1.	<p>11kV outdoor, pole mounting type oil immersed metering transformer equipment with current ratio of 20/5A and S.C Current of 9 KA for 1 second.</p> <p>(a) One 3 Phase 50 cycles voltage star connected transformer of the following features.</p> <p>(i) Voltage ratio phase $\frac{11kV}{\sqrt{3}} / \frac{110V}{\sqrt{3}}$</p> <p>(ii) VA Capacity per phase : 10 VA</p> <p>(iii) Class of accuracy 0.2 as per upgraded IS 16227 Part I –IV (IEC:61869:2007) (latest version)</p> <p>iv) Insulation : 12kV</p> <p>v) Inter layer insulation-polyester film or equivalent.</p> <p>(b) Three wound primary current transformers of 11kV voltage each with the following features.</p> <p>(i) VA capacity : 5 VA.</p> <p>(ii) Class of accuracy 0.2S as per upgraded IS 16227 Part I –IV (IEC:61869:2007) (latest version)</p>	20/5A	600 Nos.	Any district stores In TGSPDCL jurisdiction.

Note: -

- In e-procurement commercial stage, if F&I charges are applicable then mention whether F&I charges entered are exclusive/inclusive of GST in the remarks section. If not mentioned in remarks, F&I charges will be considered as inclusive of GST.
- The tenderer should quote the rates for free at destination stores and shall fill the price schedule.
- Delivery: To commence in 45 days and complete within 3 (THREE) months from the date of receipt of purchase order.

TGSPDCL Stores:

District	Store Name
Mahaboobnagar	Mahaboobnagar
Nalgonda	Nalgonda
Medak	SangaReddy
Siddipet	Siddipet
Wanaparthy	Wanaparthy
Suryapet	Suryapet
RangaReddy	RangaReddy
Hyderabad	City-Hyd Stores

SECTION-V
QUALIFICATION REQUIREMENTS
SPECIFICATION No. STN-1180/2024

1. The bidder should be a manufacturer who must have designed, manufactured, tested and supplied to power utilities at least 40% of the quoted quantity of the goods/equipment of same or higher Voltage indicated in the “Schedule of Requirement” in one continuous period of 12 months during the last 5 years period and its financial turnover during any one year of the last five years should have been equal or more than 100% value of the material now quoted.

At least 20% of similar material (same or higher or lower CT ratio) offered against this specification should be in successful operation since 2 years as on the date of opening of the Bid with documentary evidence.

Fresh bidders can be given order upto 15% of total quantity as a trial order if equipment is justified.

Any company/vendor/supplier/contractor that is blacklisted/debarred by any other power utility is not eligible to participate in the tenders.

The bidders shall have to furnish an undertaking in the prescribed format (at page no. 63) regarding any relation to the promoters of blacklisted / debarred companies by any utility. Any false information furnished in the declaration while rendering bid, such contract is liable for termination as well as recovery of damages.

2. The bidder should furnish the information on all past supplies and satisfactory performance in proforma under Form 4 attested by a CA.

3. All bids submitted will also include the following information:

- i. Copies of original documents defining the constitution or legal status, place of registration and principle place of business of the company or firm or partnership, etc.,
- ii. The bidder should furnish a brief write-up, backed with adequate data, explaining his available capacity and experience (both technical and commercial) for the manufacture and supply of the required equipment within the specified time of completion after meeting all their current commitments.
- iii. The bidder should clearly confirm that all the facilities exist in his factory for inspection and testing and these will be made available to the purchaser or his representative for inspection.
- iv. Reports on financial standing of the Bidder such as profit and loss statement, balance sheets and auditor’s report for the past five years, bankers certificates etc.

4. **The Type Test Reports as per previous IS standards IS 3156& IS-2705 shall be submitted along with undertaking letter for IS 16227: Part I –IV (IEC:61869:2007) with latest amendment for 20/5A or higher ratio CTPT Set with same or higher STC (i.e., 9KA/1s or above) but at 5VA CT burden and 10VA PT burden and accuracy test (0.2s for CTs and 0.2 for PTs) on same sample as per the relevant IS in NABL accredited laboratory as per the latest revision of the Technical Specification and the date of Type tests will not be later than 7 years.**

5. **The type test reports for CTPT Sets as per upgraded IS 16227: Part I –IV with latest amendment (IEC:61869:2007) with latest amendment mentioned in the tender document conducted in any NABL Accredited Laboratories shall be submitted on receipt of purchase order i.e., along with GTP and drawings without affecting the delivery schedule of the TGSPDCL.**

An undertaking in this regard should be submitted along with the bid document.

The Bids received without undertaking letter / valid type test reports i.e., upgraded IS 16227: Part I –IV with latest amendment (IEC:61869:2007) with latest amendment will be treated as Non-Responsive

6. Even though the bidder meets the above qualifying criteria, they are subject to be disqualified if they have...
 - a. made misleading or false representations in the forms statements and attachments submitted in proof of qualification requirements and / or
 - b. record of poor performance such as not properly completing the contract, inordinate delays in supply completion, litigation history etc.

7. Notwithstanding anything stated above the purchaser reserves the right to assess bidder's capability and capacity to perform the contract should circumstances warrant such an assessment in the overall interest of the purchaser.

SECTION-VI
TECHNICAL SPECIFICATION No. STN-1180/2024

1. SCOPE : The specification provides for manufacture, testing before dispatch, supply and delivery of **20/5A** 11KV metering sets of class of accuracy **0.2S** as per the particulars given in the schedule attached.

2. STANDARD : Except where modified by this specification the component parts of the equipment shall comply with the following IS (with latest amendments from time to time)

- i) Voltage & Current Transformers : **upgraded IS 16227 Part I-IV(with latest amendment) (IEC:61869:2007) (with latest amendment)**
- ii) Transformer Oil : IS 335/2018
- iii) HV Porcelain Bushing: IS2099
- iv) Galvanization: IS2633
- v) Primary Terminals: IS 10601
- vi) Dimensions of the bushings : IS-3347

3. TYPE : The metering transformer equipment should be of pole mounting type for outdoor use. They are to be used in 11KV Three phase with solidly earthed neutral and suitable for 3 phase 3 wire 50 cycles networks. The equipment is required for operation of trivector meters and should be oil cooled.

The CTPT sets shall have the following ratings:-

- i. Rated Voltage:11KV
- ii. Highest systems voltage:12KV
- iii. Insulation level: 12KV
- iv. Standard impulse withstand voltage:75KV
- v. One minute power frequency withstand voltage
 - a. primary:28KV
 - b. Secondary:3KV
- vi. Short time thermal current and its duration: 9 KA for 1sec (for 20/5A) CTPT sets
- vii. Class of accuracy: 0.2S
- viii. Rated burden per phase
 - 1. For CTs: The rated burden for CTs is 5VA_per phase
 - 2. For PTs: The rated burden for PTs shall be 10VA per phase.
- IX. Frequency: 50HZ

4. DESIGN :

- a) The equipment shall be designed to ensure satisfactory operation under all conditions of service to facilitate easy inspection, cleaning and repairs.
- b) The design shall incorporate every reasonable precaution and provisions for safety of all those concerned in the operation and maintenance of the equipment.
- c) All out-door apparatus shall be so designed that water cannot be collected at any point and enter the CT/PT set. The top cover of the bank, secondary terminal cover, cable box and inspection cover are suitably bent at the edges so that gaskets are not exposed to moisture.
- d) All connections and terminals shall be of sufficient size for carrying the specified currents continuously without undue heating.
- e) On outdoor equipment all bolts, nuts, washers in contact with non-ferrous parts shall be of brass.
- f) All ferrous parts including bolts & nuts liable to corrosion, forming integral parts of the equipment shall be smoothly and continuously hot dip galvanized.
- g) The secondary terminal box, inspection cover and oil gauge shall be arranged as shown in the drawing.
- h) The core shall be high grade non-ageing electrical silicon laminated steel of low hysteresis loss and high permeability to ensure high accuracy, at both normal and over current/voltage.

- i) All winding shall be of insulated high grade electrolytic copper wire and the manufacturing of the units shall be done in completely closed and air-conditioned room otherwise fiber glass insulation sleeves are to be provided for primary winding. Details of winding and core shall be furnished.
- j) The CTPT set should have three CTs and one three phase PT with star/star connection.

5. SEALING : Provision for sealing at 4 points (corners) each on the secondary terminal box, inspection cover, the top cover of the tank and cable box shall be made. This may be made by providing a hole of adequate size to pass the sealing wire, of above 14 SWG. A hole on tail of corner bolts shall be provided.

6. FLUCTUATION IN VOLTAGE AND FREQUENCY : For continuous operation, entire equipment shall be subjected to variation of voltage upto plus 20% and -30% and frequency of plus or minus 5 percent.

7. INSTRUMENT TRANSFORMERS :

- a) The voltage and current transformers shall have normal continuous rating as per the schedule of requirement. Voltage transformer shall be provided with bridged current limiting resistance fuses on the high voltage side.
- b) The voltage transformer shall be so designed that the increased magnetising currents due to any persisting over voltage does not produce injurious over heating. Phase barriers shall be provided.
- c) The peak value of the rated dynamic current shall not be less than 2.5 times the rated short time thermal current unless stated otherwise **(IS 16227 Part I –IV with latest amendment (IEC:61869:2007) with latest amendment)** .
- d) Modified polyester enamel copper wire is to be used for winding and it shall conform to IS-4800/Part-V (latest version).
- e) **The terminals of the current and voltage transformer parts of combined instrument transformers shall be marked in the same way as for individual transformers as specified in 6.13.201 of IEC 61869-2 : 2012 and 6.13.301 of IEC 61869-3 : 2011.**
- f) The winding shall be neatly laid and anchored.
- g) The metering set tank and other metal parts shall be galvanized, as per latest IS applicable.

8. Cable Box for incoming side for item No. a) & b) in schedule of material and cable box for outgoing side for item No. b) and bushings for outgoing side for item a) in schedule of material :

1. Non - Detachable cable box shall be provided on HT side for incoming for item No. a & b and outgoing side for item No. (b) and bushings for outgoing side for item a) in schedule of material. The position of cable shall be located such that it will not foul with the belting angles. Provision for sealing at 4 points shall be made. Suitable cable glands shall be supplied along with boxes. The cable box shall be suitable for M-seal indoor and terminations of 11KV XLPE 35sq.mm cables. The minimum clearance between phases and phases to earth shall be as per ISS. The tenderer shall quote for CT/PT sets having cable box for incoming side for item No. (a) & (b) in the schedule of material, cable box for outgoing side for item No. (b) in the schedule of material and bushing on the out-going side for item No. (a) in the schedule of material.

2. Bushings for out-going side of CT/PT Set for item No. a) in schedule of material:

3. The porcelain portion of HT bushings shall be of standard make and conform to IS-2099/1996. Insulation sheet barriers like Bakelite or fiber glass shall be provided in between the phases to cover the length of bushing stud.

The dimensions of the bushings shall confirm to IS-3347/part-III/1972. The minimum phase to phase clearance shall be as per IS.

The bushings shall be of reputed manufacturers like M/s.Jayshree Insulators, M/s.WS Industries, M/s.BHEL, M/s.Allied Ceramics, M/s.India Potteries, M/s.Venkateswara Ceramic Industries, M/s.IEC , CJI / Prime Insulator and Sampath Ceramics who are having complete testing facilities.

Or

The bushings shall be of reputed manufacturers who are having complete testing facilities.

The bushing stems shall be provided with suitable bimetallic connectors so as to connect the jumper without disturbing the bushing stem.

Insulation sheet barriers like Bakelite or Fiberglass shall be provided in between the phases to cover the length of bushing stud in cable box.

The minimum clearance between indoor bush rod to cable box cover shall be 50 mm.

TERMINALS : Brass rods 12mm dia for Primary and 6 mm dia for secondary. Bushing for outgoing side of CTPT set:

The porcelain portion of HT bushings shall be of standard make and conform to IS-2099/1996.

The dimensions of the bushings shall conform to IS- 3347/Part.III/1972. The minimum phase-to-phase clearance shall be as per IS.

The tests as per IS-2099/1962 shall be conducted on the transformer bushings as detailed below:

- a) Dry flash over voltage.
- b) Wet flash over voltage.
- c) Dry 1 Minute withstand voltage.
- d) Impulse withstand voltage (1.2/50 Micro Seconds –ve wave)
- e) Manufacturer's test certification may be furnished for every lot of offer.

9. STEEL TANK:

- a) The Oil filled container incorporating the voltage transformers and current transformers should be fitted with incoming and outgoing primary terminals and secondary terminal box. The secondary terminal box shall be arranged on sides. The general arrangement shall be with cable box on the incoming side and 3 bushings on the outgoing side.
- b) The tank shall be built with plate of 5 mm thick top and 3.15mm sides and bottom and with all fittings shall be capable of withstanding without leakage or distortion at the standard test pressure. All joints of the tank and fittings shall be hot oil tight and no leaking should occur during service.
- c) It shall be provided with an oil gauge. The oil gauge glass shall be fixed appropriately. The tank shall be provided with necessary lifting lugs.
- d) The secondary terminal box cover, cable box cover, tank cover and inspection cover and other vertical joints where gaskets are used shall be suitably bent with necessary sealing arrangement. This will have to safeguard against seepage of water into tank in case of damaged gasket. **The cable gland hole shall be provided to the secondary terminal box cover with hole diameter of 25mm.**
- e) The Gasket shall be dovetailed without joints to prevent moisture entry. In case of dovetailed joint, they shall not be more than two. The Gasket shall be of good quality Neoprene or rubberized gasket.
- f) EARTHING: Two earthing terminals shall be adequate size protected against corrosion and metallicly clean and identified by means of the sign marked in a legible and indelible manner on or adjacent to the terminals.
- g) All bolts should be provided with 2 flat washers and a spring washer with a nut.
- h) Conservator should not be provided for these CTPT sets.

- i) The Secondary terminal box incoming hole should be 25 mm diameter and at a height of 330 mm +/- 5 mm from bottom to avoid replacement/ modification of secondary wires pipe when CTPT set is replaced. The secondary terminals size should be 6 mm diameter, 25 mm stem length, 2 flat washers with 3 nuts of brass material should be provided. The terminals should be provided atleast 70 mm height from incoming hole and clearances shall be as per IS to avoid shorting terminals due to secondary wires pipe.
- j) The following details of equipment shall be provided on a name plate with at least 10 mm letters. The name plate is to be welded to the tank after galvanization.
Make 2. Ratio 3. Class of accuracy 4. Serial No: 5. Month & year of manufacturing.
- k) 18 months guarantee embossed plate shall be welded opposite side of name plate.
- l) MOUNTING ARRANGEMENT : The under base of all CTPT sets shall be provided with two 75x40mm GI channels and foundation dimensions shall be as per enclosed drawing and uniform for all sets with only +/- 2 mm tolerance, to avoid modification of structure/ plinth, whenever CTPT set is replaced (Drawing enclosed).
- m) **Pressure Release Device (PRD) and Nitrogen valve shall be provided.**

10. OIL: The insulation oil used in the tank shall comply with the requirements specified in latest relevant IS-335/2018 as per Annexure I.

11. GUARANTEED TECHNICAL PARTICULARS: The technical particulars as specified in IS shall be guaranteed. Every tenderer should furnish the particulars required without fail and guarantee the values so furnished for the supplies.

12 TESTS:

12.1 TYPE TESTS: The equipment offered shall be fully type tested from NABL accredited laboratory by the bidder as per the relevant standards. The bidder shall furnish a copy of type test certificates with the bid. These type test certificates shall be got approved by the purchaser before commencement of supply. The bidder also furnish type test certificates for bushings and oil along with the bid.

The Type Test Reports shall be submitted for **20/5A or higher ratio CTPT Set** with same or higher STC (i.e., 9KA/1s or above but at 5VA CT burden and 10VA PT burden and accuracy test (0.2s for CTs and 0.2 for PTs) on same sample as per the relevant IS in NABL accredited laboratory as per the latest revision of the Technical Specification and the date of Type tests will not be later than **7 years**. The Bids received without type test reports will be treated as Non-responsive

12.2. ACCEPTANCE AND ROUTINE TEST:

All acceptance and routine tests as stipulated in the relevant standards shall be carried out by the supplier in presence of purchaser's representatives.

Immediately after finalization of the programme of acceptance/routine testing, the manufacturer shall give advance intimation to the purchaser, to enable him to depute his representative for witnessing the tests.

12.3. TYPE TESTS CTPT Sets :

- a) Temperature rise test.
- b) Impulse voltage Test on primary terminals.
- c) Wet test for outdoor type transformers.
- d) Electromagnetic compatibility
- e) Test for accuracy
- f) Verification of the degree of protection by enclosures
- g) Enclosure tightness test at ambient temperature
- h) Pressure test for the enclosure
- i) Short-time current tests
- j) Short-circuit withstand capability test

12.4. TYPE TESTS FOR TRANSFORMER BUSHINGS :

- a) Dry flash over voltage.
- b) Wet flash over voltage.
- c) Dry 1 Minute withstand voltage.
- d) Impulse withstand voltage (1.2/50 Micro Seconds –ve wave)

12.5. ACCEPTANCE AND ROUTINE TESTS for combined CTPT sets :

The following shall be conducted as per **upgraded IS:16227 Part I to IV with latest amendment (IEC:61869:2007) with latest amendment**

- a) Power frequency voltage withstand Tests on primary terminals.
- b) Partial discharge measurement
- c) Power frequency voltage withstand Tests between two sections
- d) Power frequency voltage withstand Tests on secondary terminals.
- e) Test for accuracy
- f) Verification of markings
- g) Enclosure tightness test at ambient temperature
- h) Pressure test for the enclosure
- i) Determination of the secondary winding resistance
- j) Determination of the secondary loop time constant
- k) Test for rated knee point e.m.f. and exciting current at rated knee point e.m.f.
- l) Inter-turn overvoltage test

Accuracy test (Determination of errors) shall be conducted on 100% offered quantity in the presence of Discom representative.

13. DRAWINGS AND LEAFLETS: Two sets of drawings showing clearly the general arrangements, sectional views, fitting details, electrical connection and design features of each component part should accompany the tender. Technical leaflets giving the operating instructions should also be furnished along with the tender. Tenders without details are liable to be rejected. The literature and drawing are to be sent along with each equipment while dispatching, after approval by this office.

14. DEPARTURE FROM SPECIFICATION : If the tenderer wishes to depart from this specification in any respect, he shall draw the attention to such points of departure explaining fully the reasons there for. Unless this is done the requirements of this specification will be deemed to have been accepted in every respect.

15. Name Plate: The purchase order No. and Date of the purchase order, the words "PROPERTY OF TGSPDCL, " should be etched on the Name plate. The name plate is to be welded to the tank after galvanization.

Rating Plate marking : The specifications for the current transformer according to 6.13.202 of IEC 61869-2 : 2012 and the voltage transformer according to 6.13.302 of IEC 61869-3 : 2011 shall be marked separately on rating plate.

The voltage transformer shall carry on the rating plate the value of the voltage U_e induced by the r.m.s value of the rated short-time thermal current flowing through the current transformer when the primary winding of the voltage transformer is short circuited. The induced voltage is measured at the terminals of the secondary winding of the voltage transformer loaded with 10VA or the rated burden.

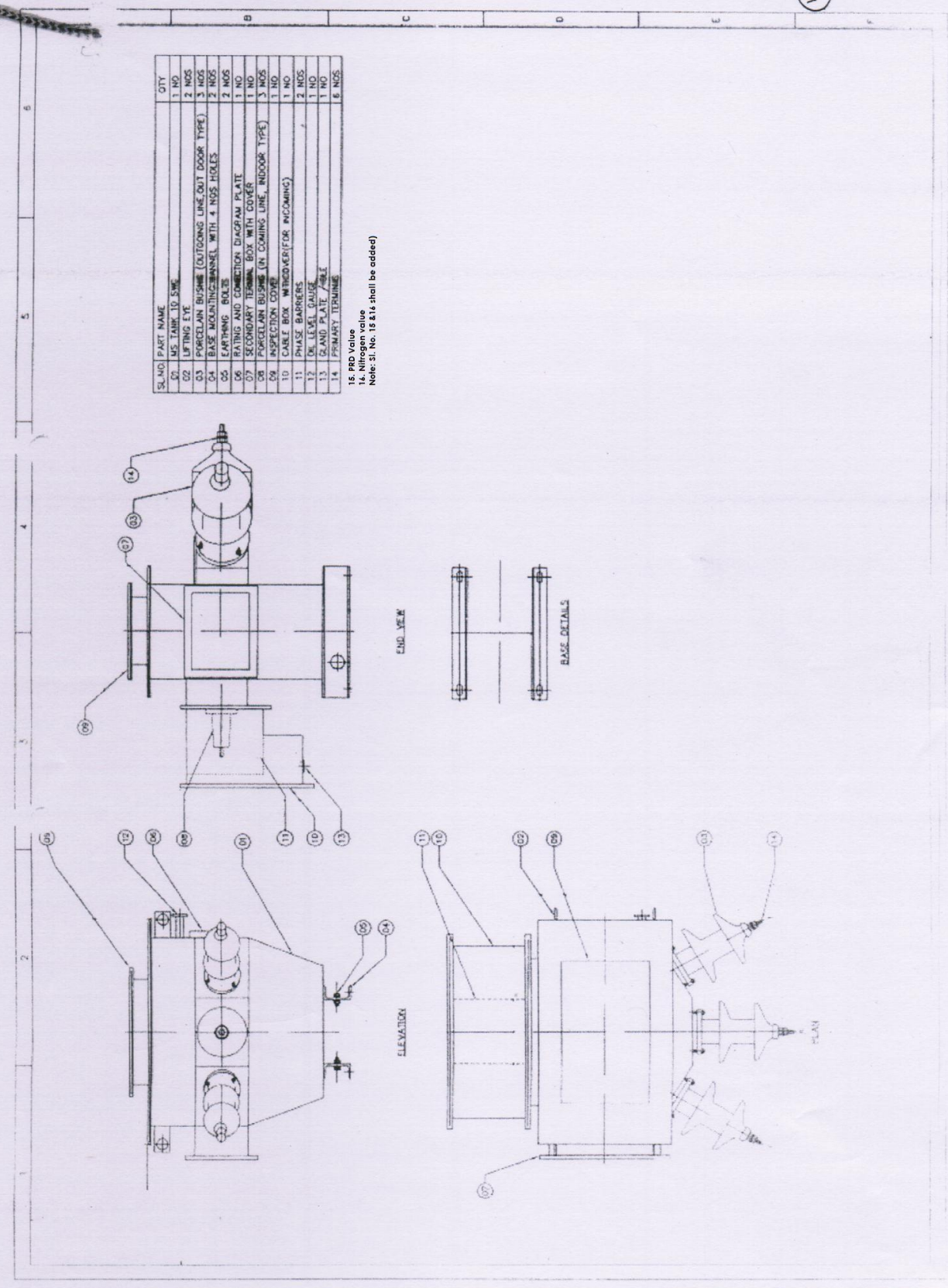
ANNEXURE – I**GUARANTEED TECHNICAL PARTICULARS FOR TRANSFORMER OIL**

Sl.No.	Characteristic	Particulars	To be furnished by the bidder
1.	Appearance	The oil shall be clear, free from suspended matter or sediments and should conform to IS-335/2018 or latest versions	
2.	Density at 20 degrees C (Max.)	0.89 g/cm	
3.	Kinematics viscosity at 27 degrees C (Max.)	15 mm ² /s, Max at 40 deg. C 1800 mm ² /s, Max at 0 deg. C	
4.	Interfacial tension at 27 degrees C (Min.)	No general requirement	
5.	Flash point, pen sky-Marten (closed) (Min.)	140 Degree C	
6.	Pour Point (Max.)	-10 Degree C.	
7.	Neutralization value :		
	a) Total acidity (max.)	0.01	
	b) In-organic acidity/alkalinity	Nil	
8.	Corrosive sulphur	Not corrosive	
9.	Electric strength (break down voltage/minute		
	a) New unfiltered oil	30 KV (rms)	
	b) After filtration	70 KV (rms) min	
10.	Dielectric dissipation factor (Tan delta at 90 Degree C (Min.)	0.005	
11.	Specific resistance (resistivity)		
	a) At 90 degree C (Min)	35X10 ¹² ohms – cm	
	b) At 27 Degree C (Min)	1500X10 ¹² ohms – cm	
12.	Oxidation stability		
	a) Neutralization value after oxidation (Max.)	0.2 mg KOH/g	
	b) Total sludge after oxidation (Max.)	0.8% max	
13.	Ageing characteristics after accelerating ageing (open breaker method with copper catalyst) for 96 Hrs. as per ASTM D 1934-1978.		
	a) Specific resistance (Resistivity)		
	i) At 27 Degree C (Min.)	2.5 X 10 ¹² ohms – cm	
	ii) At 90 Degree C (Min)	0.20 X 10 ² ohms – cm	
	b) Dielectric dissipation factor Tan delta at 90 degree C (Max.)	0.20	
	c) Total sludge value (Max.)	0.5	
	d) Total acidity (Max.)	0.5	
14.	Presence oxidation inhibitor	Nil	
15.	Water content (Max.)	30 mg/kg (Bulk) 40 mg/kg (Drum), Max	

ANNEXURE – II
(TO BE FILLED IN BY THE TENDERER)
GUARANTEED TECHNICAL PARTICULARS
(TO BE FURNISHED ALONG WITH THE TENDER)

VOLTAGE TRANSFORMERS :	
1.	Maker's name and address
2.	Manufacturer's Type & Designation
3.	Nature of service
4.	Type of Cooling
5.	Rated system Voltage
6.	Highest system voltage
7.	Ratio of the rated primary voltage to the corresponding rated secondary voltage.
8.	System voltage expressed in symbolic notion.
9.	Rated burden in volt-amperes per phase.
10.	Rate frequency : Cycles per second.
11.	Class designation : i.e. Accuracy
12.	Limits of error : a) Ratio Error. b) Phase difference in minutes.
13.	Rated Voltage Factor & Time
14.	Maximum temperature rise.
15.	Max. voltage that can be withstood by the primary for one minute :kv.
16.	Insulation strength.
17.	One-minute power frequency dry withstand test voltage on secondary winding.
18.	Winding wire on Primary a. Diameter in mm b. Type/ grade of material
19.	Winding wire on secondary a. Diameter in mm b. Type/ grade of material
20.	Interlayer insulation.
21.	Core material grade and details
22.	Knee Point Voltage

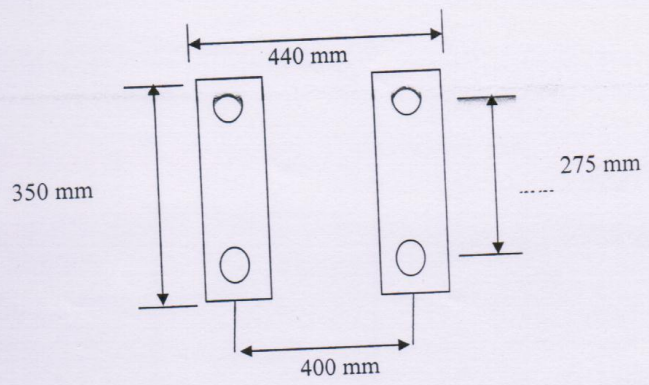
CURRENT TRANSFORMERS	
1.	Maker's name.
2.	Type
3.	Ratio of the rated primary current to the corresponding rated secondary current.
4.	Rated burden in volt-amperes.
5.	Rated frequency : Cycles per second.
6.	Class designation : i.e. Accuracy
7.	Over current factor and time
8.	Limits of error : a) Ratio Error. b)Phase difference in minutes.
10.	Maximum temperature rise.
11.	Continuous percentage over load.
12.	Impulse withstand test voltage KV (Peak)
15.	Short circuit current and duration.
16.	Rated current dynamic (Peak value)



SL. NO.	PART NAME	QTY
01	MS TUBE 10 SWG	1 NO
02	LIFTING EYE	2 NOS
03	PORCELAIN BUSHING (OUTGOING LINE OUT DOOR TYPE)	3 NOS
04	BASE MOUNTING CHANNEL WITH 4 NOS HOLES	2 NOS
05	EARTHING BOLT	2 NOS
06	RATING AND CONNECTION DIAGRAM PLATE	1 NO
07	SECONDARY TERMINAL BOX WITH COVER	1 NO
08	PORCELAIN BUSHING (R. COMING LINE, INDOOR TYPE)	3 NOS
09	INSPECTION COVER	1 NO
10	CABLE BOX W/INDOOR (FOR INCOMING)	1 NO
11	PHASE BARRIERS	2 NOS
12	DL LEVEL GAUGE	1 NO
13	DL AND PLATE /ABLE	1 NO
14	PRIMARY TERMINAL	6 NOS

15. PRD Value
 16. Nitrogen Value
 Note: Sl. No. 15 & 16 shall be added)

33



Foundation Dimensions of CTPT set

SECTION - VII
SAMPLE FORMS
1. BID FORM

Date.

TO: (Name and Address of Purchaser)
Gentlemen and/or Ladies:

Having examined the Bidding documents, the receipt of which is hereby duly acknowledged, we, the undersigned, offer to supply and deliver.
(Description of Materials / equipment) in conformity with the said bidding documents in accordance with the prices quoted online and made part of this Bid.

We undertake, if our Bid is accepted, to deliver the Materials / equipment in accordance with the delivery schedule specified in the Schedule of Requirements.

If our Bid is accepted, we will obtain the guarantee of a bank in a sum equivalent to 10% of the Contract Price for the due performance of the Contract, in the form prescribed by the Purchaser.

We agree to abide by this Bid up to (For the Bid Validity Period) specified in Clause and it will remain binding upon us and may be accepted at any time before the expiration of that period.

Until a formal contract is prepared and executed, this Bid, together with your written acceptance thereof and your notification of award, will constitute a binding Contract between us.

We understand that you are not bound to accept the lowest or any bid you may receive.

We certify / confirm that we comply with the eligibility requirements as per clause of the bidding documents.

Dated this.day of.200

[Signature]

[in the capacity of]

Duly authorized to sign Bid for and on behalf of _____

2. (a) BID SECURITY FORM

Whereas. (hereinafter called "the Bidder") has submitted its Bid dated (date of submission of bid) for the supply of.(name and /or description of the Materials / equipment) (hereinafter called "the Bid").

KNOW ALL PEOPLE by these presents that WE.(name of bank) having our registered office at.(address of bank)(hereinafter called "the Bank"), are bound unto.(name of Purchaser) (hereinafter called "the Purchaser") in the sum of for which payment well and truly to be made to the said Purchaser, the Bank binds itself, its successors, and assigns by these presents. Sealed with the Common Seal of the said Bank this day of 200 .

THE CONDITIONS of this obligation are:

1. If the Bidder
 - a) withdraws its Bid during the period of bid validity specified by the Bidder on the Bid Form; or
 - a) does not accept the correction of errors in accordance with the Bid Specification, or
2. If the Bidder, having been notified of the acceptance of its bid by the Purchaser during the period of bid validity;
 - (a) fails or refuses to furnish the performance security, in accordance with the Bid Specification.
 - (b) fails or refuses to execute the Contract Form if required; or

We undertake to pay the Purchaser up to the above amount upon receipt of its first written demand, without the Purchaser having to substantiate its demand, provided that in its demand the Purchaser will note that the amount claimed by it is due to it, owing to the occurrence of one or both of the two conditions, specifying the occurred condition or conditions.

This guarantee will remain in force up to and including forty five (45) days after(Date of tender opening) the period of the bid validity, and any demand in respect thereof should reach the Bank not later than the above date.

.
(Signature of the Bank)

NOTE: This will be executed on a Rs.100/- non-judicial stamp paper issued by a scheduled Bank.

2(b) PERFORMANCE SECURITY FORM

To: _____(Name of Purchaser)

WHEREAS.....(Name of Supplier)
(hereinafter called "the Supplier") has undertaken, in pursuance of Contract No.....dated.....200 to supply.(Description of Materials / equipment and Services)
(hereinafter called "the Contract").

AND WHEREAS it has been stipulated by you in the said Contract that the Supplier will furnish you with a Bank Guarantee by a recognized Bank for the sum specified therein as security for compliance with the Supplier's performance obligations in accordance with the Contract.

AND WHEREAS we have agreed to give the Supplier a Guarantee:

THEREFORE WE hereby affirm that we are Guarantors and responsible to you, on behalf of the Supplier, up to a total of. (Amount of the Guarantee in Words and Figures) and we undertake to pay you, upon your first written demand declaring the Supplier to be in default under the Contract and without cavil or argument, any sum or sums within the limit of..... (Amount of Guarantee) as aforesaid, without your needing to prove or to show grounds or reasons for your demand or the sum specified therein.

This guarantee is valid until the. ... day of. 200.

Signature and Seal of Guarantors

.....
Date.200.

.....

Address:.....

.....

.....

NOTE: This will be executed on a Rs.100/- non-judicial stamp paper by a scheduled Bank.

3. CONTRACT FORM

THIS AGREEMENT made the. day of. 200 Between.(Name of Purchaser) of the one part and.(Name of Supplier) of the other part:

WHEREAS the Purchaser invited bids for certain Materials / equipment and ancillary services viz.,
(Brief description of Materials / equipment and Services) and has accepted a bid by the Supplier for the supply of those Materials / equipment and services in the sum of.
(Contract Price in Words and Figures)(hereinafter called "the Contract Price").

NOW THIS AGREEMENT WITNESSETH AS FOLLOWS:

1. In this Agreement words and expressions will have the same meanings as are respectively assigned to them in the Conditions of Contract referred to.
2. The following documents will be deemed to form and be read and construed as part of this Agreement, viz.:
 - (a) the Bid Form and the Price Schedule submitted by the Bidder;
 - (b) the Schedule of Requirements;
 - (c) the Technical Specifications;
 - (d) the General Conditions of Contract;
 - (e) the Purchaser's Notification of Award.
3. In consideration of the payments to be made by the Purchaser to the Supplier as hereinafter mentioned, the Supplier hereby covenants with the Purchaser to provide the Materials / equipment and services and to remedy defects therein in conformity in all respects with the provisions of the Contract.
4. The Purchaser hereby covenants to pay the Supplier in consideration of the provision of the Materials / equipment and services and the remedying of defects therein, the Contract Price or such other sum as may become payable under the provisions of the Contract at the times and in the manner prescribed by the Contract.

Brief particulars of the Materials / equipment and services which will be supplied/ provided by the Supplier are as under:

Sl. No.	Brief Description of Materials / Equipment & services	Quantity to be supplied	Unit Price Rs.	Total Price Rs.	Delivery Terms

TOTAL VALUE: (Rupees _____only)

DELIVERY SCHEDULE:

IN WITNESS whereof the parties hereto have caused this Agreement to be executed on the day and year first above written.

Signed, Sealed and Delivered by the

said.(for the Purchaser)

in the presence of.

Signed, Sealed and Delivered by the

said.(for the Supplier)

in the presence of.

NOTE: To be executed on a Rs.100/- Non-judicial stamp paper.

4. PROFORMA FOR PERFORMANCE STATEMENT

Bid No. _____

Date of Opening _____

Time _____ Hours

Name of the Firm _____

Order placed by (full address of purchaser)	Order No. and Date	Description and quantity of ordered equipment	Date of Completion of Delivery	
			As per Contract	Actual

Remarks indicating reasons for late delivery, if any	Has the equipment been satisfactorily functioning? (Attach a Certificate from the Purchaser)

Signature of the Bidder _____

(FORMAT-A)**5. DETAILS TO BE FURNISHED BY THE MANUFACTURER**

1. Specification No.	:	
2. Name of the Material	:	
3. Quantity to be procured	:	
4. Last date and time for submission of Bid	:	
5. Date and time for opening of Bid	:	
6. State whether Bid guarantee is enclosed	:	
7. State whether the quotation in two parts has been submitted.	:	
8. State whether 20% minimum quantity is quoted	:	
9. Whether willing to furnish performance B.G. @ 10% if order is placed	:	
10. Whether month wise delivery schedule indicated	:	
11. Prices whether Firm	:	
12. Whether any other tax / duty payable. If so give details and the same is included / not included.	:	
13. State whether TGSPDCL(erstwhile APCPDCL) terms of payment are accepted.	:	
14. Quantity offered for supply	:	
15. State whether 90 days validity offered	:	
16. Whether sample is enclosed (if specified)	:	
17. Whether the material / equipment offered conforms to the relevant TGSPDCL(erstwhile APCPDCL) Specification	:	
18. Whether you have executed orders of the TGSPDCL(erstwhile APCPDCL) previously for these items. (Please give details)	:	
19. Similar details in respect of supplies made to other utilities	:	
20. Whether Bid guarantee exemption letter enclosed, if exempted.	:	
21. Whether GSTR 3B certificate enclosed	:	
22. Whether Income-tax clearance certificate enclosed.	:	
23. Whether Warranty clause accepted	:	
24. Whether Penalty clause accepted	:	
25. Whether delivery schedule accepted	:	

6. SCHEDULE OF DEVIATION**(i) TECHNICAL**

Sl. No.	Requirements / Equipment	Specification Clause No.	Deviations	Remarks

It is hereby conformed that except for deviations mentioned above, the offer conforms to all the other features specified in Technical Specification Section ____ of this Bid Document

Place :

Signature of the Bidder :

Date :

Name :

Business address :

6. SCHEDULE OF DEVIATION**(ii) COMMERCIAL**

Sl. No.	Requirements / Equipment	Specification Clause No.	Deviations	Remarks

It is hereby conformed that except for deviations mentioned above, the offer conforms to all the other features specified in Commercial Specification Section ____ of this Bid Document

Place :

Signature of the Bidder :

Date :

Name :

Business address:

DECLARATION FORM**Declaration to be given by the Company in regard to relation to promoters of Blacklisted /
debarred companies by any power utilities.**

I declare that, myself or any of the representatives of my company / firm do not have any relatives with promoters of blacklisted / debarred companies by any utilities.

It is certified that the information furnished above is true to the best of my knowledge and belief. It is hereby undertaken that in the event of the above information found to be false or incorrect at a later date, the TGSPDCL is entitled to terminate the contract/agreement entered into besides recovering damages as may be found necessary, with due notice.

Signature of authorized representative